

Butterfly Valve

ISORIA 10/16

DN 40 - 1000

PS 10 bar: ISORIA 10

PS 16 bar: ISORIA 16

Type Series Booklet



Legal information/Copyright

Type Series Booklet ISORIA 10/16

All rights reserved. The contents provided herein must neither be distributed, copied, reproduced, edited or processed for any other purpose, nor otherwise transmitted, published or made available to a third party without the manufacturer's express written consent.

Subject to technical modification without prior notice.

© KSB S.A.S, Gennevilliers (Paris), France 2022-11-15

Contents

Butterfly Valves.....	4
Centred-disc Butterfly Valves	4
ISORIA 10/16	4
Main applications.....	4
Fluids handled	4
Operating data.....	5
Design details.....	5
Valve body materials.....	5
Product benefits.....	6
Product information	6
Product information as per Pressure Equipment Directive 2014/68/EU (PED).....	6
Product information as per UK Pressure Equipment (Safety) Regulations 2016.....	6
EC Machinery Directive 2006/42/EC.....	6
Product information as per Regulation No. 1907/2006 (REACH)	6
Product information as per Directive 2014/34/EU (ATEX).....	6
Certifications	6
Related documents	6
Purchase order specifications	6
Technical data	7
Permissible pressures for liners.....	7
Vacuum resistance.....	7
Hydraulic characteristics of butterfly valves.....	7
Actuating torques	8
Materials.....	9
Variants.....	13
Dimensions and weights.....	14
Dimensions of ISORIA 10/16	14
Manual override.....	14
Dimensions and weights of ISORIA 10/16 + lever S+/SR+	15
Dimensions and weights of ISORIA 10/16 + lever SP+	16
Dimensions and weights of ISORIA 10/16 + lever CR+/CM+	17
Dimensions and weights of ISORIA 10/16 + manual gearbox MA+	18
Dimensions and weights of ISORIA 10/16 + MS manual gearbox.....	19
Dimensions and weights of ISORIA 10/16 + MC manual gearbox.....	23
Line connections.....	27
Installation information.....	31
Dead-end service and downstream dismantling.....	31
Flange dimensions.....	32
Coated flange.....	33
Bolting and weights.....	34
Bolting and weights for wafer-type body - T1.....	34
Bolting and weights for semi-lug body - T2.....	37
Bolting and weights for full-lug body with flat faces - T3	40
Bolting and weights for full-lug body with raised faces - T4.....	43
Bolting and weights for flanged body with flat faces - T5 DN 150 - 600.....	46
Bolting and weights for flanged body with flat faces - T5 DN 650 - 600.....	48

Butterfly Valves

Centred-disc Butterfly Valves

ISORIA 10/16



Fluids handled

- Condensate
- Cleaning agents
- Distillate
- Wash water
- Seawater
- Service water
- Cooling water
- Fire-fighting water
- Drinking water
- Brackish water
- Grey water
- River water, lake water and groundwater
- Abrasive fluids
- Aggressive fluids
- Fluids containing mineral oils
- Solids-laden fluids
- Fluids containing gas
- Corrosive fluids
- Explosive fluids
- Inorganic fluids
- Organic fluids
- Polymerising/crystallising fluids
- Radioactive fluids
- Toxic fluids
- Volatile fluids
- Gas
- Oil
- Brine
- Solvents

Main applications

- Water extraction
- Chemical industry
- Cooling circuits
- Seawater desalination/reverse osmosis
- Flue gas desulphurisation
- Food industry / beverage industry
- Paper industry / pulp industry
- Spray irrigation systems
- Descaling units
- General irrigation systems
- Washing plants
- Paint shops
- Shipbuilding
- Mixing
- Mining
- Pipelines and tank farms
- Swimming pools
- Process engineering
- Sugar industry
- Pressure boosting
- Industrial recirculation systems
- Water treatment
- Fire-fighting systems

Operating data

Table 1: Operating properties

Characteristic	Value	
	ISORIA 10	ISORIA 16
Nominal pressure	PN 10	PN 16
Nominal size	DN 40 - 1000	DN 40 - 1000
Max. permissible pressure [bar]	10	16
Min. permissible temperature [°C]	≥ -10	≥ -10
Max. permissible temperature [°C]	≤ +200	≤ +200
Actuation at ΔP [bar] at ambient temperature	10 max.	16 max.
Vacuum operation down to	0.3 bar absolute	
Max. permissible flow velocity at operating pressure	1.5 to 3 m/s (max.) for water	
Temperature [°C] with		
XA liner	-20 to +90	
XC liner	-20 to +90	
XV liner	-20 to +130	
K liner	-5 to +90	
CB liner	-5 to +100	
CC liner	0 to +60	
NB liner	-30 to +60	
NH liner	-5 to +130	
Y liner	-5 to +100	
VC liner	0 to +200	
EG liner	-25 to +100	
SK liner	-30 to +200	

Liner pressure limits based on pressure/materials table for liners

Design details

Design

- Wafer-type body with flat faces - T1: DN 40 - 1000
- Semi-lug body - T2: DN 40 - 600
- Full-lug body with flat faces - T3: DN 40 - 600

Valve body materials

Table 2: Overview of available materials

Material	Material number	Type	DN	KSB code
EN-GJL-250	JL 1040	T1	DN 40-600	3t
EN-JS1030	JS 1030	T1	DN 650-1000	3g
ASTM A536 Gr. 60.40.18				
EN-JS1030	JS 1030	T2	DN 40-600	3g
ASTM A 216 Gr. CCC		T3	DN 40-600	1
EN-JS1030	JS 1030	T4	DN 40-600	3g
EN-JS1030	JS 1030	T5	DN 150-600	3g
EN-JS1030	JS 1030	T5	DN 650-1000	3g
ASTM A536 Gr. 60.40.18				

- Full-lug body with raised faces - T4: DN 40 - 600
- Flanged body with flat faces - T5: DN 650 to 1000 (DN 150 to 600 on request)
- Downstream dismantling possible with body types T2, T3, T4 and T5
- Dead-end service with counterflange possible with all body types
- Body with polyurethane coating, thickness 80 µm, colour: RAL 5002, blue
- Valve disc made of nodular cast iron, epoxy-coated, thickness 80 µm, colour: RAL 8012, brown
- Plug on valve bottom, blue RAL 5002
- Design to EN 593 and ISO 10631
- Top flange and square valve shaft end to ISO 5211
- Marking in accordance with EN 19
- Absolutely tight shut-off in either direction of flow in accordance with EN 12266-1, leakage rate A, and ISO 5208, category A.
- EN, ASME, JIS, AWWA connections possible.
- Face-to-face length to ISO 5752-20 and EN 558-1-20

Variants

- Butterfly valve cleaned and packaged, free from paint wetting impairment substances
- Quarter-turn levers of the S+ / SR+ / SP+ / CR+ / CM+ type series
- MA+ manual gearbox
- MS / MC manual gearboxes
- Electric quarter-turn actuators
- Electric multi-turn actuators
- ACTAIR EVO / DYNACTAIR EVO pneumatic actuators
- HQ hydraulic actuators
- AMTROBOX for open/closed position signalling
- AMTRONIC U on/off control unit
- SMARTRONIC U positioner
- Anti-static design for manually actuated valves

Product benefits

- The spherical contact between valve disc and liner ensures durable and permanently tight shut-off.
- Splined or keyed connection between shaft and valve disc: dry shaft, no contact with fluid handled
- Sealing to atmosphere is ensured even when the actuator has been removed.
- Marking indicates position of valve disc
- The anti-blow out device (screw or circlip) prevents the shaft and actuating shaft from being pushed out of the body.(97B59)
- Valve equipped with stainless steel plain bearing with reinforced PTFE coating depending on DN
- The elastomer liner provides tight sealing at the flanged line connections, eliminating the need for an extra gasket.

Product information

Product information as per Pressure Equipment Directive 2014/68/EU (PED)

The valves satisfy the safety requirements of Annex I of the European Pressure Equipment Directive 2014/68/EU (PED) for fluids in Groups 1 and 2.

Product information as per UK Pressure Equipment (Safety) Regulations 2016

The valves satisfy the safety requirements of the UK Pressure Equipment (Safety) Regulations 2016 (PER) for fluids in Groups 1 and 2.

EC Machinery Directive 2006/42/EC

Valves with actuators can meet the requirements of the 2006/42/EC Machinery Directive for partly completed machinery.

Product information as per Regulation No. 1907/2006 (REACH)

For information as per European chemicals regulation (EC) No. 1907/2006 (REACH) see <https://www.ksb.com/en-global/company/corporate-responsibility/reach>.

Product information as per Directive 2014/34/EU (ATEX)

The valves do not have a potential internal source of ignition and can be used in potentially explosive atmospheres, Group II, category 2 (zones 1+21) to ATEX 2014/34/EU.

Certifications

Table 3: Overview

Label	Effective in:	Comment
	Worldwide	-
	Germany	Approved in accordance with the German drinking water regulation
	Switzerland	Approved in accordance with Swiss drinking water regulation
	Belgium	Approved in accordance with the Belgian drinking water regulation
	United Kingdom	Approved in accordance with the UK drinking water regulation
	France	Approved in accordance with the French drinking water regulation
	Worldwide	Elastomeric parts meet FDA standards.
	Worldwide	Approved for marine applications
	Worldwide	Approved for marine applications
	France	Approved for gas applications
	Germany	Approved for gas applications
	Europe	Certificate regarding food contact materials as per European Regulation (EC) No. 1935/2004

Related documents

Table 4: Information/documents

Document	Reference number
Operating manual	8449.8

Purchase order specifications

1. Type
2. Nominal pressure
3. Nominal size
4. Fluid handled
5. Flow rate / flow velocity
6. Operating temperature
7. Materials (body, valve disc, seat)
8. Line connection, flange facing and flange surface quality
9. Actuator / automation
10. Reference number

Technical data
Permissible pressures for liners
Table 5: ISORIA 10

DN	NPS [inch]	Max. permissible pressure PS [bar]				
		XA - XC - XV - K - Y - CB	NH	VC	EG	CC - SK - NB
40-300	1½-12	10	10	10	10	6
350-500	14-20	10	6	10	10	6
550	22	10	6	10	-	-
600	24	10	6	10	10	6
650	26	10	6	-	-	-
700	28	10	6	6	-	-
750	30	10	6	-	-	-
800-1000	32-40	10	6	6	-	-

Table 6: ISORIA 16

DN	NPS [inch]	Max. permissible pressure PS [bar]	
		XA - XC - XV - K	Y
40-600	1½-24	16	16
650-1000	26-40	16	-

Vacuum resistance
Table 7: Vacuum resistance data

DN	NPS [inch]	Liner mounting method	Min. pressure	Max. temperature
			[bar absolute]	All liners
40-300	1½-12	Non-glued (standard)	$1,33 \cdot 10^{-5}$ (10^2 torr)	See "Operating data"
350-1000	14-40	Non-glued (standard)	0,3	
350-1000	14-40	Glued (optional)	$1,33 \cdot 10^{-5}$ (10^2 torr)	80 °C

Hydraulic characteristics of butterfly valves
Table 8: Table: Kv0 and Cv0 [mm]

DN	NPS [inch]	Flow coefficient with valve disc fully open		Zeta
		Kv0	Cv0	
40	1½	53	62	1,46
50	2	133	154	0,56
65	2½	240	280	0,49
80	3	410	475	0,39
100	4	655	760	0,37
125	5	900	1044	0,48
150	6	1800	2090	0,25
200	8	3550	4120	0,20
250	10	7350	8453	0,12
300	12	9100	10465	0,16
350	14	11200	12880	0,19
400	16	14800	17020	0,19
450	18	19700	22655	0,17
500	20	25000	28750	0,16
550	22	31700	36455	0,15
600	24	36400	41860	0,16
650	26	37700	43730	0,20
700	28	47500	55100	0,17
750	30	51500	59740	0,19
800	32	63500	73660	0,16
900	36	84700	98250	0,15
1000	40	108500	125860	0,14

Actuating torques

A safety coefficient has already been included in the actuating torques for actuator selection.

Table 9: Table: actuating torques [Nm] for ISORIA 10

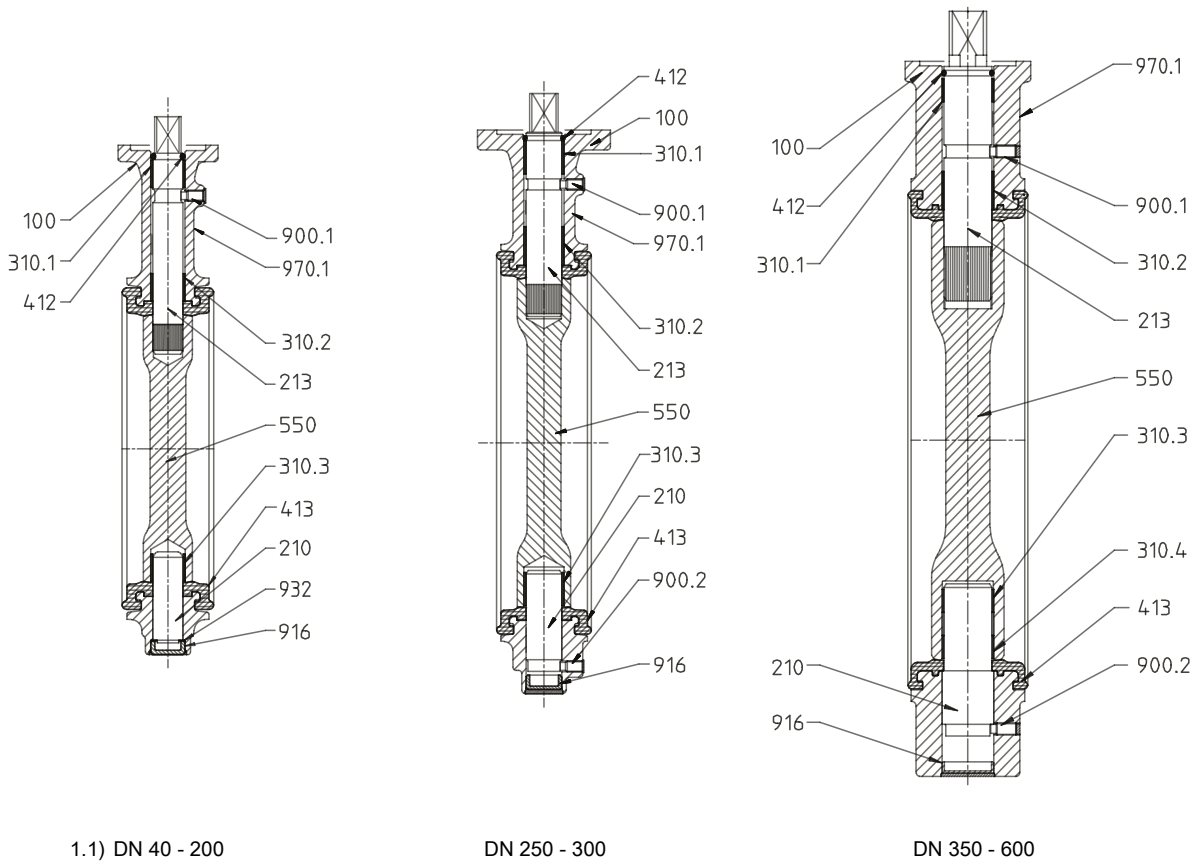
DN	NPS	Liners XA, XC, XV, K with lubricating fluid	All liners with non-lubricating fluid and ¹⁾
	[inch]		
40	1½	8	16
50	2	16	24
65	2½	24	32
80	3	32	40
100	4	48	56
125	5	64	80
150	6	104	112
200	8	136	168
250	10	198	297
300	12	342	468
350	14	450	648
400	16	585	882
450	18	720	1080
500	20	900	1350
550	22	1080	1620
600	24	1260	1890
650	26	1700	2600
700	28	2000	3000
750	30	2300	3500
800	32	2600	4000
900	36	3400	5000
1000	40	4100	6000

Table 10: Table: actuating torques [Nm] for ISORIA 16

DN	NPS	Liners XA, XC, XV, K with lubricating fluid only
	[inch]	
40	1½	16
50	2	24
65	2½	32
80	3	40
100	4	56
125	5	80
150	6	112
200	8	168
250	10	297
300	12	468
350	14	648
400	16	882
450	18	1080
500	20	1350
550	22	1620
600	24	1890
650	26	3200
700	28	3600
750	30	3900
800	32	4000
900	36	5000
1000	40	6000

¹⁾ Other liners (except XA, XC, XV, K) with lubricating fluid

Materials



1.1) DN 40 - 200

DN 250 - 300

DN 350 - 600

Fig. 1: Sectional drawings of ISORIA 10/16 for DN 40 - 600

1.1) Parts 310.1, 310.2, 310.3 for DN 200 only

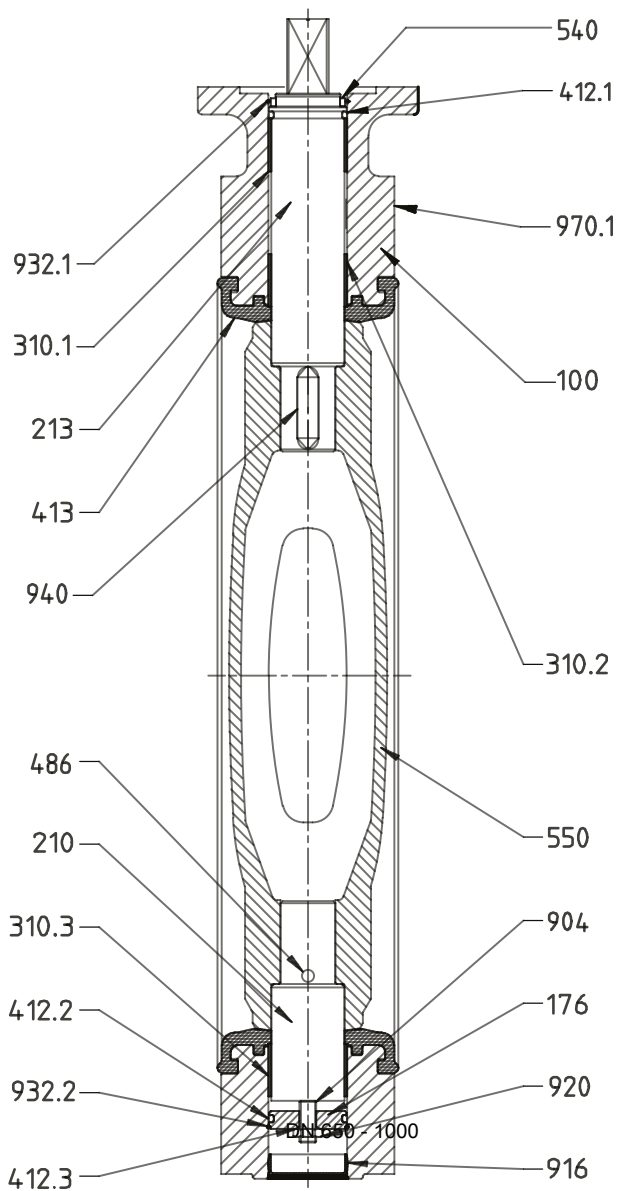


Fig. 2: Sectional drawings of ISORIA 10/16 for DN 650 - 1000

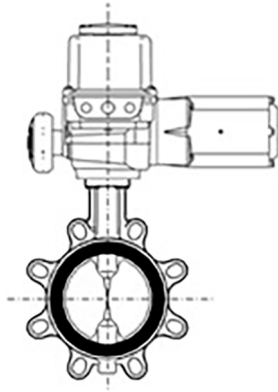
Table 11: List of components

Part No.	Description	DN	Materials	KSB code
100	Body T1	40 - 600	Lamellar graphite cast iron JL1040	3t
100	Body T1	650 - 1000	Nodular cast iron JS 1030 ASTM A536 Gr. 60.40.18	3g
100	Body T2	40 - 600	Nodular cast iron JS 1030	3g
100	Body T3	40 - 600	Steel	1
100	Body T4	40 - 600	Nodular cast iron JS 1030	3g
100	Body T5	150 - 600	Nodular cast iron JS 1030	3g
100	Body T5	650 - 1000	Nodular cast iron JS 1030 ASTM A536 Gr. 60.40.18	3g
176	Bottom	650 - 1000	Steel	
210 ²⁾	Shaft	40 - 600	Stainless steel 1.4028 (13 % Cr)	6k
210 ²⁾	Shaft	650 - 1000	Stainless steel 1.4028 (13 % Cr)	6k
210 ²⁾	Shaft	40 - 600	Stainless steel 1.4057 (17 % Cr)	6h
210 ²⁾	Shaft	650 - 1000	Stainless steel 1.4542 (17 % Cr)	6e
213 ²⁾	Actuating shaft	40 - 600	Stainless steel 1.4028 (13 % Cr)	6k
213 ²⁾	Actuating shaft	650 - 1000	Stainless steel 1.4028 (13 % Cr)	6k
213 ²⁾	Actuating shaft	40 - 600	Stainless steel 1.4057 (17 % Cr)	6h
213 ²⁾	Actuating shaft	650 - 1000	Stainless steel 1.4542 (17 % Cr)	6e
310.1 ²⁾	Plain bearing	200 - 1000	Steel with reinforced PTFE coating	
310.2 ²⁾	Plain bearing	200 - 1000	Steel with reinforced PTFE coating	
310.3 ²⁾³⁾	Plain bearing	200 - 1000	Steel with reinforced PTFE coating	
310.4 ²⁾³⁾	Plain bearing	350 - 600	Steel with reinforced PTFE coating	
412 ²⁾³⁾⁴⁾	O-ring	40 - 600	Nitrile	
412.1 ²⁾³⁾⁴⁾	O-ring	650 - 1000	Nitrile	
412.2 ²⁾³⁾⁴⁾	O-ring	650 - 1000	Nitrile	
412.3 ²⁾³⁾⁴⁾	O-ring	650 - 1000	Nitrile	
413 ⁴⁾	Liner	40 - 1000	EPDM	XA
413 ⁴⁾	Liner	40 - 1000	EPDM suitable for drinking water	XC
413 ⁴⁾	Liner	40 - 1000	EPDM, heat-resistant	XV
413 ⁴⁾	Liner	40 - 1000	High-grade nitrile	K
413 ⁴⁾	Liner	40 - 1000	Carboxylated nitrile	CB ⁵⁾
413 ⁴⁾	Liner	40 - 600	Carboxylated nitrile, white	CC ⁵⁾
413 ⁴⁾	Liner	40 - 1000	HYPALON (chlorosulfonated) polyethylene	Y
413 ⁴⁾	Liner	40 - 1000	Fluoroelastomer VITON, heat-resistant	VC ⁵⁾
413 ⁴⁾	Liner	40 - 1000	Epichlorohydrin	EG ⁵⁾
413 ⁴⁾	Liner	40 - 1000	Silicone, heat-resistant	SK ⁵⁾
413 ⁴⁾	Liner	40 - 1000	Polybutadiene natural rubber	NB ⁵⁾
413 ⁴⁾	Liner	40 - 1000	Hydrogenated nitrile butadiene rubber (HNBR)	NH ⁵⁾
486 ²⁾	Ball	650 - 1000	Steel	
540 ²⁾³⁾⁴⁾	Bush	650 - 1000	Acetal	
550 ³⁾	Valve disc	40 - 1000	Nodular cast iron JS 1030	3g
550 ³⁾	Valve disc	650 - 1000	Nodular cast iron JS 1030 ASTM A536 Gr. 60.40.18	3g
550 ³⁾	Valve disc	40 - 600	Nodular cast iron JS 1030, Halar-coated	3a
550 ³⁾	Valve disc	40 - 1000	Nodular cast iron JS 1030, Ebonite-coated	3p ⁵⁾
550 ³⁾	Valve disc	40 - 1000	Nodular cast iron JS 1030, Rilsan-coated	3r ⁵⁾
550 ³⁾	Valve disc	40 - 300	Nodular cast iron JS 1030, EPDM-coated	3x ⁵⁾
550 ³⁾	Valve disc	40 - 200	Stainless steel 1.4401	6
550 ³⁾	Valve disc	250 - 1000	Stainless steel 1.4408 / ASTM A351 Gr. CF8M	6
550 ³⁾	Valve disc	40 - 200	Stainless steel 1.4401, polished	6i

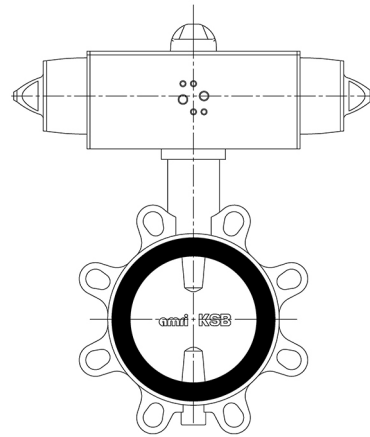
- ² Part from shaft spare parts kit
³ Part from valve disc spare parts kit
⁴ Part from liner spare parts kit
⁵ For ISORIA 10 only

Part No.	Description	DN	Materials	KSB code
550 ³⁾	Valve disc	250 - 600	Stainless steel 1.4408 / ASTM A351 Gr. CF8M, polished	6i
550 ³⁾	Valve disc	40 - 1000	Aluminium bronze CC333G	2
550 ³⁾	Valve disc	40 - 1000	ASTM A890 Gr. CD4MCu, equivalent of NORIDUR	5a ⁵⁾
550 ³⁾	Valve disc	40 - 1000	ASTM A890 Gr. CE3MN, equivalent of NORICLOR	5g ⁵⁾
550 ³⁾	Valve disc	40 - 1000	Austenitic stainless steel URANUS B6	6u ⁵⁾
550 ³⁾	Valve disc	40 - 1000	HASTELLOY C	7c ⁵⁾
900.1 ²⁾³⁾⁴⁾	Shaft anti-blow out device (screw)	40 - 1000	Stainless steel	
900.2 ²⁾³⁾⁴⁾	Shaft anti-blow out device (screw)	250 - 1000	Stainless steel	
904 ²⁾	Adjusting screw	650 - 1000	Steel	
916 ²⁾³⁾⁴⁾	Plug	40 - 1000	Polyethylene	
920 ²⁾	Nut	650 - 1000	Galvanised steel	
932 ²⁾³⁾⁴⁾	Serrated washer	40 - 200	Steel	
932.1 ²⁾³⁾⁴⁾	Circlip	650 - 1000	Steel	
932.2 ²⁾³⁾⁴⁾	Circlip	650 - 1000	Steel	
940 ²⁾	Key	650 - 1000	Steel	
970.1	Name plate	40 - 1000	Stainless steel	

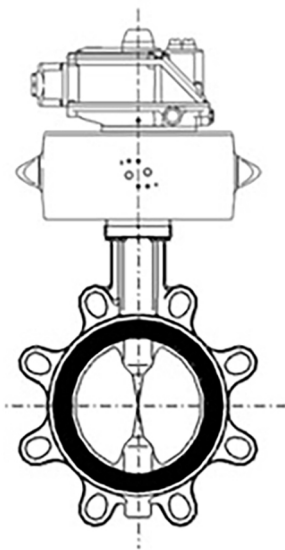
Variants



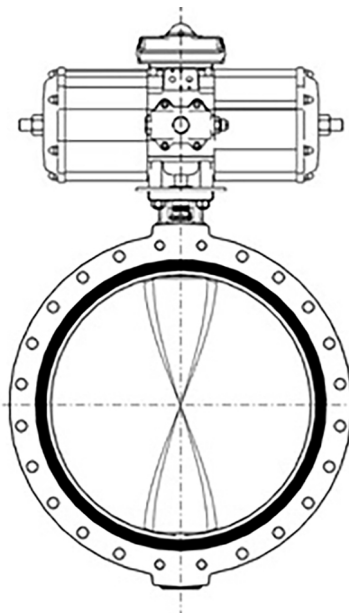
Electric actuator



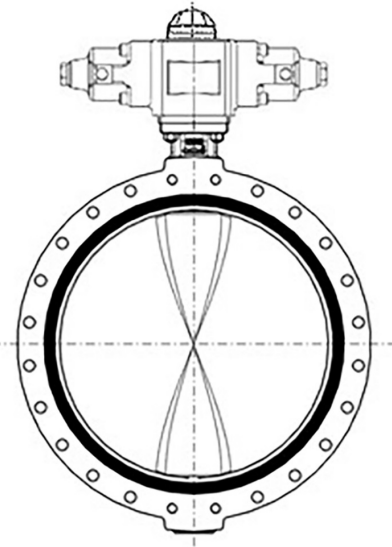
ACTAIR EVO / DYNACTAIR EVO pneumatic actuators



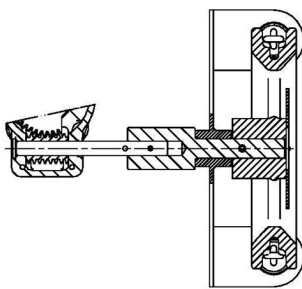
AMTRONIC U / SMARTRONIC U
compressed air supply, positioner



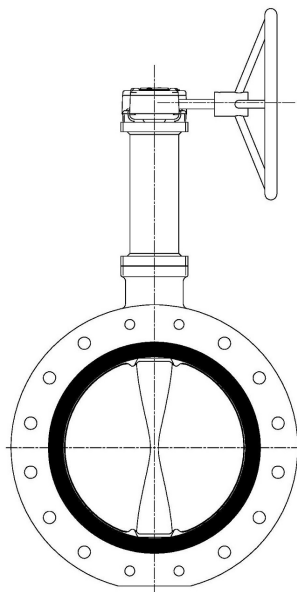
AMTROBOX, AMTROBOX R, AMTROBOX
Ex-ia limit switch box



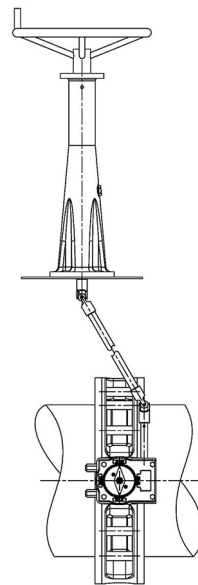
HQ EVO Hydraulic actuator



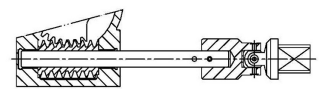
Actuation via chain wheel



Actuation via extension



Deck stand



Cardan connection

Dimensions and weights

Dimensions of ISORIA 10/16

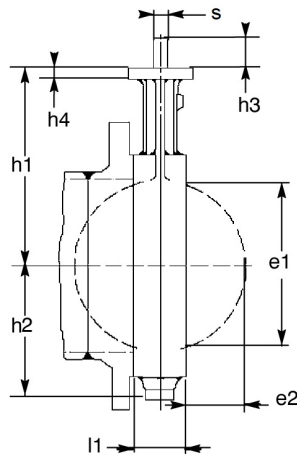


Fig. 3: ISORIA 10/16 with bare shaft end

Table 12: Dimensions [mm]

DN	NPS [inch]	l1	h1	h2	Top flange to ISO 5211		Shaft end Square end		Valve disc	
					No.	h4	∅s	h3	e1	e2
40	1½	33	105	51	F05	10	L11	12	32	4
50	2	43	109	55	F05	10	L11	12	33	4
65	2½	46	136	67	F05	10	L11	12	55	11
80	3	46	142	73	F05	10	L11	12	71	17
100	4	52	163	92	F05	10	L14	16	90	23
125	5	56	176	105	F05	10	L14	16	119	35
150	6	56	194	120	F07	12	L14	16	144	46
200	8	60	222	150	F07	12	L17	19	196	69
250	10	68	255	194	F10	15	L22	24	249	92
300	12	78	282	226	F12	18	L22	24	297	111
350	14	78	335	269	F12	23	L27	29	326	127
400	16	102	380	298	F14	23	L36	38	370	140
450	18	114	410	329	F14	23	L36	38	422	160
500	20	127	440	359	F14	27	L36	38	470	178
550	22	154	475	406	F16	27	L46	48	522	195
600	22	154	495	439	F16	27	L46	48	566	215
650	26	165	535	451	F16	26	L46	48	620	235
700	28	165	560	482	F16	26	L46	48	671	260
750	30	190	590	513	F16	26	L46	48	717	273
800	32	190	615	546	F16	26	L46	48	769	298
900	36	203	665	588	F25	30	L55	57	869	341
1000	40	216	735	646	F25	30	L55	57	970	385

Manual override

The selection of actuators given below typically applies to butterfly valves handling lubricating fluids at the maximum flow velocities shown.

For valves handling non-lubricating fluids (gas), a max. flow velocity of 50 m/s applies.

Higher flow velocities and further actuator/valve combinations are possible, depending on the operating conditions and hydraulic characteristics. Please contact us.

Dimensions and weights of ISORIA 10/16 + lever S+/SR+

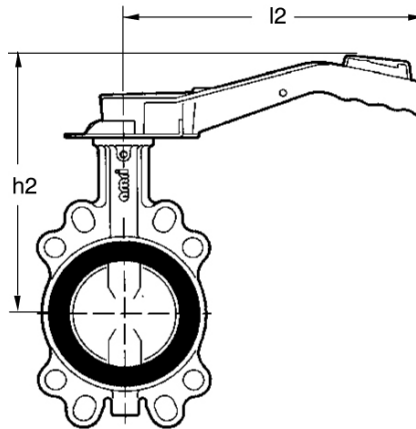


Fig. 4: Unit comprising ISORIA 10/16 + lever S+/SR+

S+ lever: can be locked in end positions

SR+ lever: can be locked in 9 positions

Table 13: Actuation via lever S+/SR+ [mm]

DN	NPS	Max. velocity	l2	h2	[kg] ⁶⁾
	[inch]	[m/s]			
40	1½	3,0	180	160	0,5
50	2	3,0	180	165	0,5
65	2½	3,0	180	191	0,5
80	3	3,0	180	197	0,5
40	1½	3,0	260	180	0,6
50	2	3,0	260	185	0,6
65	2½	3,0	260	211	0,6
80	3	3,0	260	217	0,6
100	4	3,0	330	248	0,7
125	5	3,0	330	262	0,7
150	6	3,0	330	279	0,7

⁶⁾ The weights given refer to the actuating element.

Dimensions and weights of ISORIA 10/16 + lever SP+

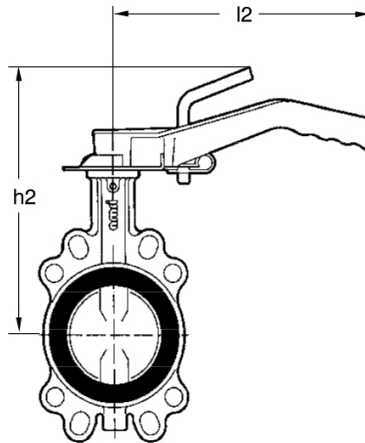


Fig. 5: Unit comprising ISORIA 10/16 + lever SP+

SP+ lever: can be locked in any position

Table 14: Actuation via SP+ lever [mm]

DN	NPS	Max. velocity	l2	h2	[kg] ⁷⁾
	[inch]	[m/s]			
40	1½	3,0	260	205	0,7
50	2	3,0	260	210	0,7
65	2½	3,0	260	236	0,7
80	3	3,0	260	242	0,7
100	4	3,0	330	263	0,8
125	5	3,0	330	277	0,8
150	6	3,0	330	294	0,8

⁷⁾ The weights given refer to the actuating element.

Dimensions and weights of ISORIA 10/16 + lever CR+/CM+

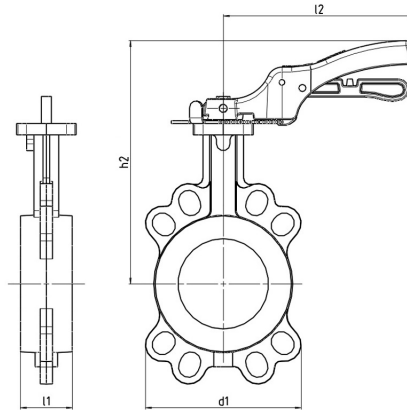


Fig. 6: Unit comprising ISORIA 10/16 + lever CR+/CM+

Table 15: Actuation via lever CR+/CM+ [mm]

DN	NPS	Max. velocity	l1	d1	l2	h2	[kg] ⁸⁾
	[inch]	[m/s]					
40	1½	3,0	33	108	165	175	0,8
50	2	3,0	43	118	165	179	0,8
65	2½	3,0	46	132	165	206	0,8
80	3	3,0	46	138	165	212	0,8
100	4	3,0	52	150	230	246	1,2
125	5	3,0	56	234	300	272	1,7
150	6	3,0	56	260	300	290	1,7
200	8	3,0	60	322	510 ⁹⁾	332	3,1
250	10	3,0	68	394	510 ⁹⁾	365	3,1
300	12	3,0	78	462	510 ⁹⁾	392	3,1

⁸⁾ The weights given refer to the actuating element.

⁹⁾ High actuating torque, manual gearbox recommended

Dimensions and weights of ISORIA 10/16 + manual gearbox MA+

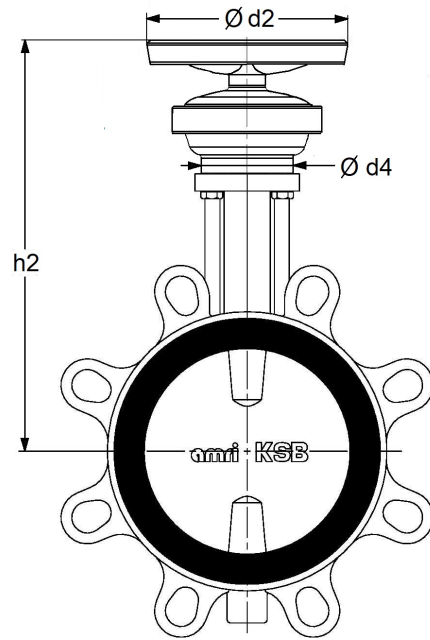


Fig. 7: Unit comprising ISORIA 10/16 + manual gearbox MA+

Table 16: Actuation via MA+ manual gearbox for ISORIA 10/16 [mm]

DN	NPS [inch]	Max. velocity [m/s]	Type	d2	h2	d4	[kg] ¹⁰⁾
40	1½	3,0	MA12+	140	220	60	1,5
50	2	3,0	MA12+	140	225	60	1,5
65	2½	3,0	MA12+	140	251	60	1,5
80	3	3,0	MA12+	140	257	60	1,5
100	4	3,0	MA12+	140	285	70	1,5
125	5	3,0	MA12+	140	299	70	1,5
150	6	3,0	MA25+	225	355	95	3
200	8	3,0	MA25+	225	383	95	3

¹⁰⁾ The weights given refer to the actuating element.

Dimensions and weights of ISORIA 10/16 + MS manual gearbox

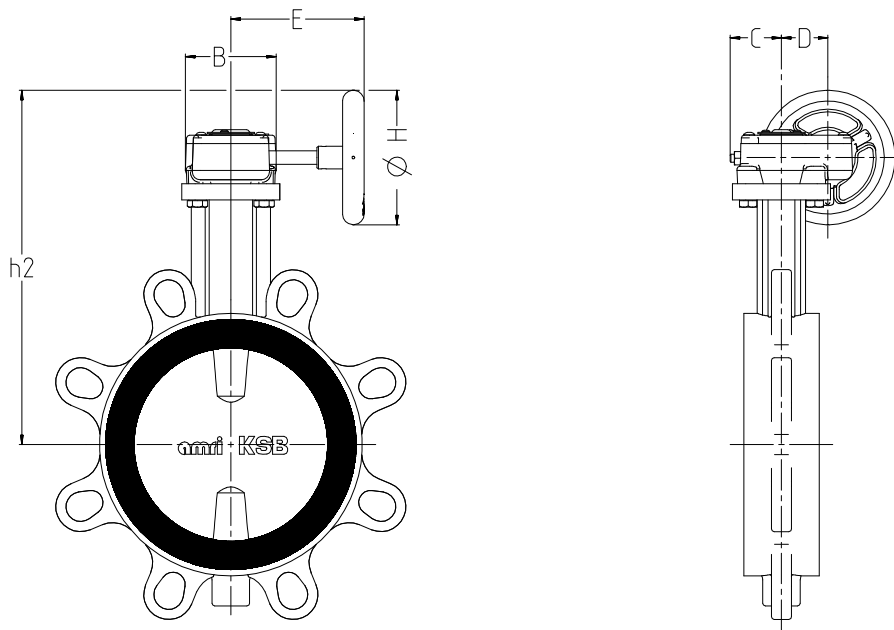


Fig. 8: Unit comprising ISORIA 10/16 + MS manual gearbox

Table 17: Actuation via MS manual gearbox for ISORIA 10 (with lubricating fluid, with liners XA, XC, XV and K) [mm]

DN	NPS	Max. velocity	Type	B	C	D	E	H	h2	[kg] ¹¹⁾
	[inch]	[m/s]								
40	1½	3,0	MS15	68	39	34,4	153	100	174,5	1,2
50	2	3,0	MS15	68	39	34,4	153	100	178,5	1,2
65	2½	3,0	MS15	68	39	34,4	153	100	205,5	1,2
80	3	3,0	MS15	68	39	34,4	153	100	211,5	1,2
100	4	3,0	MS15	68	39	34,4	153	100	232,5	1,2
125	5	3,0	MS15	68	39	34,4	153	100	245,5	1,2
150	6	3,0	MS15	68	39	34,4	153	100	263,5	1,2
200	8	3,0	MS30	88	47	41,3	231	200	349,5	2,7
250	10	3,0	MS30	88	47	41,3	231	200	382,5	2,7
300	12	3,0	MS50	110,5	57	55	245	250	440,5	5,4
350	14	3,0	MS50	110,5	57	55	245	250	493,5	5,4
400	16	3,0	MS100	135	66,4	68,8	298	400	617,5	8,7
450	18	2,5	MS100	135	66,4	68,8	298	400	647,5	8,7
500	20	2,5	MS100	135	66,4	68,8	298	400	677,5	8,7
550	22	2,0	MS200	156	77	81,3	276	500	777,5	12,5
600	24	2,5	MS200	156	77	81,3	276	500	797,5	12,5
650	26	2,0	MS200	156	77	81,3	276	500	837,5	12,5
700	28	2,0	MS200	156	77	81,3	276	500	862,5	12,5
750	30	2,0	MS450	213	111	53	348	500	896	27,5
800	32	2,0	MS450	213	111	53	348	500	921	27,5
900	36	1,5	MS700	285	142,5	130	417	500	970	42,5
1000	40	1,5	MS700	285	142,5	130	417	500	1040	42,5

8445.5 /06-EN

¹¹ The weights given refer to the actuating element.

Table 18: Actuation via MS manual gearbox for ISORIA 10 (with lubricating fluid, with liners other than XA, XC, XV and K, and with non-lubricating fluid, with all liners) [mm]

DN	NPS	Max. velocity	Type	B	C	D	E	H	h2	[kg] ¹²⁾
	[inch]	[m/s]								
40	1½	50	MS15	68	39	34,4	153	100	174,5	1,2
50	2	50	MS15	68	39	34,4	153	100	178,5	1,2
65	2½	50	MS15	68	39	34,4	153	100	205,5	1,2
80	3	50	MS15	68	39	34,4	153	100	211,5	1,2
100	4	50	MS15	68	39	34,4	153	100	232,5	1,2
125	5	50	MS15	68	39	34,4	153	100	245,5	1,2
150	6	50	MS15	68	39	34,4	153	100	263,5	1,2
200	8	50	MS30	88	47	41,3	231	200	349,5	2,7
250	10	50	MS30	88	47	41,3	231	200	382,5	2,7
300	12	50	MS50	110,5	57	55	245	250	440,5	5,4
350	14	50	MS100	135	66,4	68,8	298	400	572,5	8,7
400	16	50	MS100	135	66,4	68,8	298	400	617,5	8,7
450	18	50	MS100	135	66,4	68,8	298	400	647,5	8,7
500	20	50	MS200	156	77	81,3	276	500	742,5	12,5
550	22	50	MS200	156	77	81,3	276	500	777,5	12,5
600	24	50	MS200	156	77	81,3	276	500	797,5	12,5
650	26	50	MS450	213	111	53	348	500	841	27,5
700	28	50	MS450	213	111	53	348	500	866	27,5
750	30	50	MS450	213	111	53	348	500	896	27,5
800	32	50	MS450	213	111	53	348	500	921	27,5
900	36	50	MS700	285	142,5	130	417	500	970	42,5
1000	40	50	MS700	285	142,5	130	417	500	1040	42,5

Table 19: Actuation via MS manual gearbox for ISORIA 16 (with lubricating fluid, with liners XA, XC, XV and K) [mm]

DN	NPS	Max. velocity	Type	B	C	D	E	H	h2	[kg] ¹³⁾
	[inch]	[m/s]								
40	1½	3,0	MS15	68	39	34,4	153	100	174,5	1,2
50	2	3,0	MS15	68	39	34,4	153	100	178,5	1,2
65	2½	3,0	MS15	68	39	34,4	153	100	205,5	1,2
80	3	3,0	MS15	68	39	34,4	153	100	211,5	1,2
100	4	3,0	MS15	68	39	34,4	153	100	232,5	1,2
125	5	3,0	MS15	68	39	34,4	153	100	245,5	1,2
150	6	3,0	MS15	68	39	34,4	153	100	263,5	1,2
200	8	3,0	MS30	88	47	41,3	231	200	349,5	2,7
250	10	3,0	MS30	88	47	41,3	231	200	382,5	2,7
300	12	3,0	MS50	110,5	57	55	245	250	440,5	5,4
350	14	3,0	MS100	135	66,4	68,8	298	400	572,5	8,7
400	16	3,0	MS100	135	66,4	68,8	298	400	617,5	8,7
450	18	2,5	MS100	135	66,4	68,8	298	400	647,5	8,7
500	20	2,5	MS200	156	77	81,3	276	500	742,5	12,5
550	22	2,0	MS200	156	77	81,3	276	500	777,5	12,5
600	24	2,5	MS200	156	77	81,3	276	500	797,5	12,5
650	26	2,0	MS450	213	111	53	348	500	841	27,5
700	28	2,0	MS450	213	111	53	348	500	866	27,5
750	30	2,0	MS450	213	111	53	348	500	896	27,5
800	32	2,0	MS450	213	111	53	348	500	921	27,5
900	36	1,5	MS700	285	142,5	130	417	500	970	42,5
1000	40	1,5	MS700	285	142,5	130	417	500	1040	42,5

¹²⁾ The weights given refer to the actuating element.

¹³⁾ The weights given refer to the actuating element.

Table 20: Actuation via MS manual gearbox for ISORIA 16 (with non-lubricating fluid, with liners XA, XC, XV and K) [mm]

DN	NPS	Max. velocity	Type	B	C	D	E	H	h2	[kg] ¹⁴⁾
	[inch]	[m/s]								
40	1½	3,0	MS15	68	39	34,4	153	100	174,5	1,2
50	2	3,0	MS15	68	39	34,4	153	100	178,5	1,2
65	2½	3,0	MS15	68	39	34,4	153	100	205,5	1,2
80	3	3,0	MS15	68	39	34,4	153	100	211,5	1,2
100	4	3,0	MS15	68	39	34,4	153	100	232,5	1,2
125	5	3,0	MS15	68	39	34,4	153	100	245,5	1,2
150	6	3,0	MS15	68	39	34,4	153	100	263,5	1,2
200	8	3,0	MS30	88	47	41,3	231	200	349,5	2,7
250	10	3,0	MS50	110,5	57	55	245	250	413,5	5,4
300	12	3,0	MS100	135	66,4	68,8	298	400	519,5	8,7
350	14	3,0	MS100	135	66,4	68,8	298	400	572,5	8,7
400	16	3,0	MS200	156	77	81,3	276	500	682,5	12,5
450	18	2,5	MS200	156	77	81,3	276	500	712,5	12,5
500	20	2,5	MS450	213	111	53	348	500	746	27,5
550	22	2,0	MS450	213	111	53	348	500	781	27,5
600	24	2,5	MS450	213	111	53	348	500	801	27,5
650	26	2,0	MS700	285	142,5	130	417	500	840	42,5
700	28	2,0	MS700	285	142,5	130	417	500	865	42,5
750	30	2,0	MS700	285	142,5	130	417	500	895	42,5
800	32	2,0	MS700	285	142,5	130	417	500	920	42,5
900	36	1,5	MS1100	293	142	140	430	500	976,5	54,5
1000	40	1,5	MS1100	293	142	140	430	500	1046,5	54,5

Table 21: Actuation via MS manual gearbox for ISORIA 16 (with lubricating fluid, with liner Y) [mm]

DN	NPS	Max. velocity	Type	B	C	D	E	H	h2	[kg] ¹⁵⁾
	[inch]	[m/s]								
40	1½	3,0	MS15	68	39	34,4	153	100	174,5	1,2
50	2	3,0	MS15	68	39	34,4	153	100	178,5	1,2
65	2½	3,0	MS15	68	39	34,4	153	100	205,5	1,2
80	3	3,0	MS15	68	39	34,4	153	100	211,5	1,2
100	4	3,0	MS15	68	39	34,4	153	100	232,5	1,2
125	5	3,0	MS15	68	39	34,4	153	100	245,5	1,2
150	6	3,0	MS15	68	39	34,4	153	100	263,5	1,2
200	8	3,0	MS30	88	47	41,3	231	200	349,5	2,7
250	10	3,0	MS50	110,5	57	55	245	250	413,5	5,4
300	12	3,0	MS100	135	66,4	68,8	298	400	519,5	8,7
350	14	3,0	MS100	135	66,4	68,8	298	400	572,5	8,7
400	16	3,0	MS100	135	66,4	68,8	298	400	617,5	8,7
450	18	2,5	MS100	135	66,4	68,8	298	400	647,5	8,7
500	20	2,5	MS200	156	77	81,3	276	500	742,5	12,5
550	22	2,0	MS200	156	77	81,3	276	500	777,5	12,5
600	24	2,5	MS450	213	111	53	348	500	801	27,5
650	26	2,0	MS450	213	111	53	348	500	841	27,5
700	28	2,0	MS450	213	111	53	348	500	866	27,5
750	30	2,0	MS450	213	111	53	348	500	896	27,5
800	32	2,0	MS450	213	111	53	348	500	921	27,5
900	36	1,5	MS700	285	142,5	130	417	500	970	42,5
1000	40	1,5	MS700	285	142,5	130	417	500	1040	42,5

¹⁴ The weights given refer to the actuating element.

¹⁵ The weights given refer to the actuating element.

Table 22: Actuation via MS manual gearbox for ISORIA 16 (with non-lubricating fluid, with liner Y) [mm]

DN	NPS	Max. velocity	Type	B	C	D	E	H	h2	[kg] ¹⁶⁾
	[inch]	[m/s]								
40	1½	3,0	MS15	68	39	34,4	153	100	174,5	1,2
50	2	3,0	MS15	68	39	34,4	153	100	178,5	1,2
65	2½	3,0	MS15	68	39	34,4	153	100	205,5	1,2
80	3	3,0	MS15	68	39	34,4	153	100	211,5	1,2
100	4	3,0	MS15	68	39	34,4	153	100	232,5	1,2
125	5	3,0	MS15	68	39	34,4	153	100	245,5	1,2
150	6	3,0	MS30	88	47	41,3	231	200	321,5	2,7
200	8	3,0	MS50	110,5	57	55	245	250	380,5	5,4
250	10	3,0	MS50	110,5	57	55	245	250	413,5	5,4
300	12	3,0	MS100	135	66,4	68,8	298	400	519,5	8,7
350	14	3,0	MS100	135	66,4	68,8	298	400	572,5	8,7
400	16	3,0	MS200	156	77	81,3	276	500	682,5	12,5
450	18	2,5	MS200	156	77	81,3	276	500	712,5	12,5
500	20	2,5	MS450	213	111	53	348	500	746	27,5
550	22	2,0	MS450	213	111	53	348	500	781	27,5
600	24	2,5	MS450	213	111	53	348	500	801	27,5
650	26	2,0	MS700	285	142,5	130	417	500	840	42,5
700	28	2,0	MS700	285	142,5	130	417	500	865	42,5
750	30	2,0	MS700	285	142,5	130	417	500	895	42,5
800	32	2,0	MS700	285	142,5	130	417	500	920	42,5
900	36	1,5	MS1100	293	142	140	430	500	976,5	54,5
1000	40	1,5	MS1100	293	142	140	430	500	1046,5	54,5

¹⁶⁾ The weights given refer to the actuating element.

Dimensions and weights of ISORIA 10/16 + MC manual gearbox

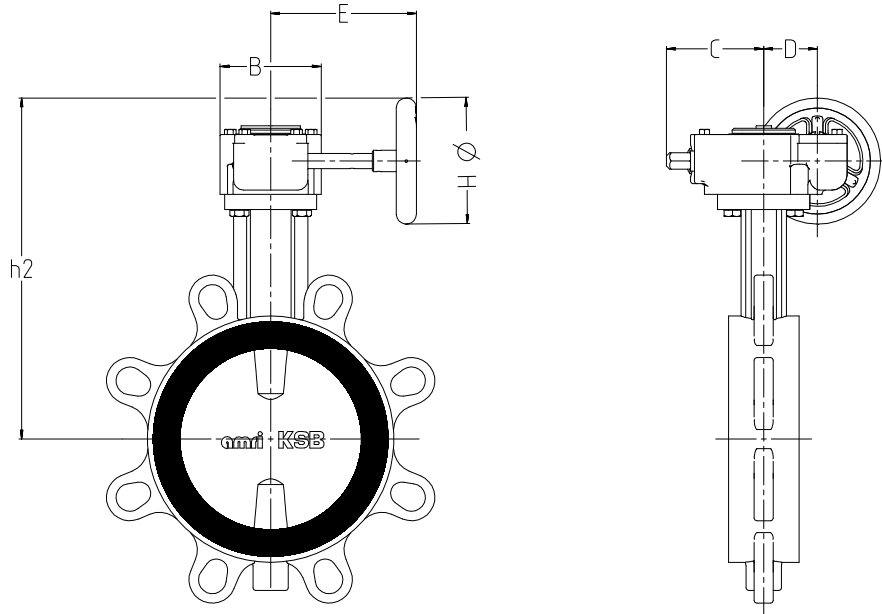


Fig. 9: Unit comprising ISORIA 10/16 + MC manual gearbox

Table 23: Actuation via MC manual gearbox for ISORIA 10 (with lubricating fluid, with liners XA, XC, XV and K) [mm]

DN	NPS	Max. velocity	Type	B	C	D	E	H	h2	[kg] ¹⁷⁾
	[inch]	[m/s]								
40	1½	3,0	MC15	80	75	42,5	115,5	100	181,5	2,4
50	2	3,0	MC15	80	75	42,5	115,5	100	185,5	2,4
65	2½	3,0	MC15	80	75	42,5	115,5	100	212,5	2,4
80	3	3,0	MC15	80	75	42,5	115,5	100	218,5	2,4
100	4	3,0	MC15	80	75	42,5	115,5	100	239,5	2,4
125	5	3,0	MC15	80	75	42,5	115,5	100	252,5	2,4
150	6	3,0	MC15	80	75	42,5	115,5	100	270,5	2,4
200	8	3,0	MC30	102	62	52	198	200	350,5	4,3
250	10	3,0	MC30	102	62	52	198	200	383,5	4,3
300	12	3,0	MC50	102	62	52	203	250	435,5	5,0
350	14	3,0	MC50	102	62	52	203	250	488,5	5,0
400	16	3,0	MC100	138	93	71	297	400	620,5	11,3
450	18	2,5	MC100	138	93	71	297	400	650,5	11,3
500	20	2,5	MC100	138	93	71	297	400	680,5	11,3
550	22	2,0	MC200	200	106	86	305	500	767	17,5
600	24	2,5	MC200	200	106	86	305	500	787	17,5
650	26	2,0	MC200	200	106	86	305	500	827	17,5
700	28	2,0	MC200	200	106	86	305	500	852	17,5
750	30	2,0	MC450	213	120	53	348	500	896	27,5
800	32	2,0	MC450	213	120	53	348	500	921	27,5
900	36	1,5	MC700	285	143	130	451	500	970	42,5
1000	40	1,5	MC700	285	143	130	451	500	1040	42,5

8445.5/06-EN

¹⁷⁾ The weights given refer to the actuating element.

Table 24: Actuation via MC manual gearbox for ISORIA 10 (with lubricating fluid, with liners other than XA, XC, XV and K, and with non-lubricating fluid, with all liners) [mm]

DN	NPS	Max. velocity	Type	B	C	D	E	H	h2	[kg] ¹⁸⁾
	[inch]	[m/s]								
40	1½	50	MC15	80	75	42,5	115,5	100	181,5	2,4
50	2	50	MC15	80	75	42,5	115,5	100	185,5	2,4
65	2½	50	MC15	80	75	42,5	115,5	100	212,5	2,4
80	3	50	MC15	80	75	42,5	115,5	100	218,5	2,4
100	4	50	MC15	80	75	42,5	115,5	100	239,5	2,4
125	5	50	MC15	80	75	42,5	115,5	100	252,5	2,4
150	6	50	MC15	80	75	42,5	115,5	100	270,5	2,4
200	8	50	MC30	102	62	52	198	200	350,5	3,5
250	10	50	MC30	102	62	52	198	200	383,5	3,5
300	12	50	MC50	102	62	52	203	250	435,5	5,0
350	14	50	MC100	138	93	71	297	400	575,5	11,3
400	16	50	MC100	138	93	71	297	400	620,5	11,3
450	18	50	MC200	200	106	86	305	500	702	17,5
500	20	50	MC200	200	106	86	305	500	732	17,5
550	22	50	MC200	200	106	86	305	500	767	17,5
600	24	50	MC200	200	106	86	305	500	787	17,5
650	26	50	MC450	213	120	53	348	500	841	27,5
700	28	50	MC450	213	120	53	348	500	866	27,5
750	30	50	MC450	213	120	53	348	500	896	27,5
800	32	50	MC450	213	120	53	348	500	921	27,5
900	36	50	MC700	285	143	130	451	500	970	42,5
1000	40	50	MC700	285	143	130	451	500	1040	42,5

Table 25: Actuation via MC manual gearbox for ISORIA 16 (with lubricating fluid, with liners XA, XC, XV and K) [mm]

DN	NPS	Max. velocity	Type	B	C	D	E	H	h2	[kg] ¹⁹⁾
	[inch]	[m/s]								
40	1½	3,0	MC15	80	75	42,5	115,5	100	181,5	2,4
50	2	3,0	MC15	80	75	42,5	115,5	100	185,5	2,4
65	2½	3,0	MC15	80	75	42,5	115,5	100	212,5	2,4
80	3	3,0	MC15	80	75	42,5	115,5	100	218,5	2,4
100	4	3,0	MC15	80	75	42,5	115,5	100	239,5	2,4
125	5	3,0	MC15	80	75	42,5	115,5	100	252,5	2,4
150	6	3,0	MC15	80	75	42,5	115,5	100	270,5	2,4
200	8	3,0	MS30	102	62	52	198	200	350,5	3,5
250	10	3,0	MC30	102	62	52	198	200	383,5	3,5
300	12	3,0	MC50	102	62	52	203	250	435,5	5,0
350	14	3,0	MC100	138	93	71	297	400	575,5	11,3
400	16	3,0	MC100	138	93	71	297	400	620,5	11,3
450	18	2,5	MC200	200	106	86	305	500	702	17,5
500	20	2,5	MC200	200	106	86	305	500	732	17,5
550	22	2,0	MC200	200	106	86	305	500	767	17,5
600	24	2,5	MC200	200	106	86	305	500	787	17,5
650	26	2,0	MC450	213	120	53	348	500	841	27,5
700	28	2,0	MC450	213	120	53	348	500	866	27,5
750	30	2,0	MC450	213	120	53	348	500	896	27,5
800	32	2,0	MC450	213	120	53	348	500	921	27,5
900	36	1,5	MC700	285	143	130	451	500	970	42,5
1000	40	1,5	MC700	285	143	130	451	500	1040	42,5

¹⁸⁾ The weights given refer to the actuating element.

¹⁹⁾ The weights given refer to the actuating element.

Table 26: Actuation via MC manual gearbox for ISORIA 16 (with non-lubricating fluid, with liners XA, XC, XV and K) [mm]

DN	NPS	Max. velocity	Type	B	C	D	E	H	h2	[kg] ²⁰⁾
	[inch]	[m/s]								
40	1½	3,0	MC15	80	75	42,5	115,5	100	181,5	2,4
50	2	3,0	MC15	80	75	42,5	115,5	100	185,5	2,4
65	2½	3,0	MC15	80	75	42,5	115,5	100	212,5	2,4
80	3	3,0	MC15	80	75	42,5	115,5	100	218,5	2,4
100	4	3,0	MC15	80	75	42,5	115,5	100	239,5	2,4
125	5	3,0	MC15	80	75	42,5	115,5	100	252,5	2,4
150	6	3,0	MC15	80	75	42,5	115,5	100	270,5	2,4
200	8	3,0	MC30	102	62	52	198	200	350,5	3,5
250	10	3,0	MC50	102	62	52	203	250	408,5	5,0
300	12	3,0	MC100	138	93	71	297	400	522,5	11,3
350	14	3,0	MC100	138	93	71	297	400	575,5	11,3
400	16	3,0	MC200	200	106	86	305	500	672	17,5
450	18	2,5	MC200	200	106	86	305	500	702	17,5
500	20	2,5	MC450	213	120	53	348	500	746	27,5
550	22	2,0	MC450	213	120	53	348	500	781	27,5
600	24	2,5	MC450	213	120	53	348	500	801	27,5
650	26	2,0	MC700	285	143	130	451	500	840	42,5
700	28	2,0	MC700	285	143	130	451	500	865	42,5
750	30	2,0	MC700	285	143	130	451	500	895	42,5
800	32	2,0	MC700	285	143	130	451	500	920	42,5
900	36	1,5	MC1100	293	144	140	470	500	977	54,5
1000	40	1,5	MC1100	293	144	140	470	500	1047	54,5

Table 27: Actuation via MC manual gearbox for ISORIA 16 (with lubricating fluid, with liner Y) [mm]

DN	NPS	Max. velocity	Type	B	C	D	E	H	h2	[kg] ²¹⁾
	[inch]	[m/s]								
40	1½	3,0	MC15	80	75	42,5	115,5	100	181,5	2,4
50	2	3,0	MC15	80	75	42,5	115,5	100	185,5	2,4
65	2½	3,0	MC15	80	75	42,5	115,5	100	212,5	2,4
80	3	3,0	MC15	80	75	42,5	115,5	100	218,5	2,4
100	4	3,0	MC15	80	75	42,5	115,5	100	239,5	2,4
125	5	3,0	MC15	80	75	42,5	115,5	100	252,5	2,4
150	6	3,0	MC15	80	75	42,5	115,5	100	270,5	2,4
200	8	3,0	MC30	102	62	52	198	200	350,5	3,5
250	10	3,0	MC30	102	62	52	198	200	383,5	3,5
300	12	3,0	MC100	138	93	71	297	400	522,5	11,3
350	14	3,0	MC100	138	93	71	297	400	575,5	11,3
400	16	3,0	MC200	200	106	86	305	500	672	17,5
450	18	2,5	MC200	200	106	86	305	500	702	17,5
500	20	2,5	MC200	200	106	86	305	500	732	17,5
550	22	2,0	MC200	200	106	86	305	500	767	17,5
600	24	2,5	MC450	213	120	53	348	500	801	27,5
650	26	2,0	MC450	213	120	53	348	500	841	27,5
700	28	2,0	MC450	213	120	53	348	500	866	27,5
750	30	2,0	MC450	213	120	53	348	500	896	27,5
800	32	2,0	MC450	213	120	53	348	500	921	27,5
900	36	1,5	MC700	285	143	130	451	500	970	42,5
1000	40	1,5	MC700	285	143	130	451	500	1040	42,5

²⁰⁾ The weights given refer to the actuating element.

²¹⁾ The weights given refer to the actuating element.

Table 28: Actuation via MC manual gearbox for ISORIA 16 (with non-lubricating fluid, with liner Y) [mm]

DN	NPS	Max. velocity	Type	B	C	D	E	H	h2	[kg] ²²⁾
	[inch]	[m/s]								
40	1½	3,0	MC15	80	75	42,5	115,5	100	181,5	2,4
50	2	3,0	MC15	80	75	42,5	115,5	100	185,5	2,4
65	2½	3,0	MC15	80	75	42,5	115,5	100	212,5	2,4
80	3	3,0	MC15	80	75	42,5	115,5	100	218,5	2,4
100	4	3,0	MC15	80	75	42,5	115,5	100	239,5	2,4
125	5	3,0	MC15	80	75	42,5	115,5	100	252,5	2,4
150	6	3,0	MC30	102	62	52	198	200	322,5	3,5
200	8	3,0	MC30	102	62	52	198	200	350,5	3,5
250	10	3,0	MC50	102	62	52	203	250	408,5	5,0
300	12	3,0	MC100	138	93	71	297	400	522,5	11,3
350	14	3,0	MC100	138	93	71	297	400	575,5	11,3
400	16	3,0	MC200	200	106	86	305	500	672	17,5
450	18	2,5	MC200	200	106	86	305	500	702	17,5
500	20	2,5	MC450	213	120	53	348	500	746	27,5
550	22	2,0	MC450	213	120	53	348	500	781	27,5
600	24	2,5	MC450	213	120	53	348	500	801	27,5
650	26	2,0	MC700	285	143	130	451	500	840	42,5
700	28	2,0	MC700	285	143	130	451	500	865	42,5
750	30	2,0	MC700	285	143	130	451	500	895	42,5
800	32	2,0	MC700	285	143	130	451	500	920	42,5
900	36	1,5	MC1100	293	144	140	470	500	977	54,5
1000	40	1,5	MC1100	293	144	140	470	500	1017	54,5

²²⁾ The weights given refer to the actuating element.

Line connections

The valves can be installed between the following line connections (other line connections on request):

- EN 1092 PN 6 (ISORIA 10 only), 10 and 16
- ASME B16.1 Cl. 125 and B16.5 Cl. 150
- ASME B16.47 Cl. 150 Series A
- MSS SP 44 Cl.150
- AWWA C207 Cl. B, D and E
- AS 2129 Tables D and E
- BS 10 Tables D und E
- JIS B2220, B2238 and B2239 5K, 10K, 16K and 20K (ISORIA 16 only)

Table 29: Wafer-type body – T1

T1 wafer-type bodies can be installed between all the above-mentioned line connections.

Table 30: Semi-lug body (T2) for standards EN 1092, MSS SP44 Class 150, JIS B2220, JIS B2238 and JIS B2239

DN	NPS [inch]	EN 1092			MSS SP44 Class 150	JIS B2220, B2238, B2239			
		PN 6 ²³⁾	PN 10	PN 16		5K	10K	16K	20K ²⁴⁾
40	1½	✓	✓	✓	•	✓	✓	✓	✓
50	2	✓	✓	✓	•	✓	✓	✓■	✓■
65	2½	✓	✓	✓	•	✓	✓	✓■	✓■
80	3	✓	✓	✓	•	✓	✓	✓	✓
100	4	✓	✓	✓	•	✓	✓	✓	✓
125	5	✓	✓	✓	•	✓	✓	✓■	✓■
150	6	✓	✓	✓	•	✓	✓	✓■	✓■
200	8	✓	✓	✓	•	✓	✓	✓■	✓■
250	10	✓	✓	✓	•	✓	✓	✓■	✓■
300	12	✓	✓	✓	✓	✓	✓■	✓■	✓■
350	14	✓	✓	✓	✓	✓	✓	✓	✓
400	16	✓	✓	✓	✓	✓	✓	✓	✓
450	18	✓	✓	✓	✓	✓	✓	✓	✓
500	20	✓	✓	✓	✓	✓	✓	✓	✓
550	22	•	•	•	✓	✓	✓	✓	✓
600	24	✓	✓	✓	✓	✓	✓	✓	✓

Table 31: Semi-lug body (T2) for standards ASME, AWWA, BS10 and AS2129

DN	NPS [inch]	ASME		AWWA C207 B,D,E	BS10		AS2129	
		B16.1 Cl.125	B16.5 Cl.150		Table D	Table E	Table D	Table E
40	1½	✓	✓	•	✓	✓	✓	✓
50	2	✓	✓	•	✓	✓	✓	✓
65	2½	✓	✓	•	✓	✓	✓	✓
80	3	✓	✓	•	✓	✓	✓	✓
100	4	✓	✓	✓	✓■	✓	✓■	✓
125	5	✓	✓	✓	✓	✓	✓	✓
150	6	✓	✓	✓	✓	✓	✓	✓
200	8	✓	✓	✓	✓	✓	✓	✓
250	10	✓	✓	✓	✓■	✓	✓■	✓
300	12	✓	✓	✓	✓	✓	✓	✓
350	14	✓	✓	✓	✓	✓	✓	✓
400	16	✓	✓	✓	✓	✓	✓	✓
450	18	✓	✓	✓	✓	✓	✓	✓
500	20	✓	✓	✓	✓	✓	✓	✓
550	22	•	•	✓	✓	✓	✓	✓
600	24	✓	✓	✓	✓	✓	✓	✓

Table 32: Symbols key

Symbol	Description	Symbol	Description
✓	Installation possible	•	Non-standardised connection
■	Downstream dismantling not possible		

²³ ISORIA 10-specific

²⁴ ISORIA 16-specific

Table 33: Full-lug body with flat faces (T3) for standards EN 1092, MSS SP44 Class 150, JIS B2220, JIS B2238 and JIS B2239

DN	NPS [inch]	EN 1092			MSS SP44 cl.150	JIS B2220, B2238, B2239			
		PN 6	PN 10	PN 16		5K	10K	16K	20K
40	1½	☒	✓	✓	•	✓	✓	✓	☒
50	2	☒	✓	✓	•	✓	✓	✓	☒
65	2½	☒	✓	✓	•	✓	✓	✓	☒
80	3	☒	✓	✓	•	✓	✓	✓	☒
100	4	☒	✓	✓	•	✓	✓	✓	☒
125	5	☒	✓	✓	•	✓	✓	✓	☒
150	6	☒	✓	✓	•	✓	✓	♦	☒
200	8	☒	✓	✓	•	✓	✓	✓	☒
250	10	☒	✓	✓	•	✓	✓	✓	☒
300	12	☒	✓	✓	✓	✓	♦	✓	☒
350	14	☒	✓	✓	✓	✓	✓	✓	☒
400	16	☒	✓	✓	✓	✓	✓	✓	☒
450	18	☒	✓	✓	✓	✓	✓	✓	☒
500	20	☒	✓	✓	✓	✓	✓	✓	☒
550	22	☒	•	•	✓	✓	✓	✓	☒
600	24	☒	✓	✓	✓	✓	✓	✓	☒

Table 34: Full-lug body with flat faces (T3) for standards ASME, AWWA , BS10 and AS2129

DN	NPS [inch]	ASME		AWWA C207 B,D,E	BS10		AS2129	
		B16.1 Cl.125	B16.5 Cl.150		Table D	Table E	Table D	Table E
40	1½	✓	✓	•	☒	☒	☒	☒
50	2	✓	✓	•	☒	☒	☒	☒
65	2½	✓	✓	•	☒	☒	☒	☒
80	3	✓	✓	•	☒	☒	☒	☒
100	4	✓	✓	✓	☒	☒	☒	☒
125	5	✓	✓	✓	☒	☒	☒	☒
150	6	✓	✓	✓	☒	☒	☒	☒
200	8	✓	✓	✓	☒	☒	☒	☒
250	10	✓	✓	✓	☒	☒	☒	☒
300	12	✓	✓	✓	☒	☒	☒	☒
350	14	✓	✓	✓	☒	☒	☒	☒
400	16	✓	✓	✓	☒	☒	☒	☒
450	18	✓	✓	✓	☒	☒	☒	☒
500	20	✓	✓	✓	☒	☒	☒	☒
550	22	•	•	✓	☒	☒	☒	☒
600	24	✓	✓	✓	☒	☒	☒	☒

Table 35: Symbols key

Symbol	Description	Symbol	Description
✓	Installation possible	•	Non-standardised connection
☒	Contact KSB.	♦	Installation not possible

Table 36: Full-lug body with raised faces (T4) for standards EN 1092, MSS SP44 Class 150, JIS B2220, JIS B2238 and JIS B2239

DN	NPS [inch]	EN 1092			MSS SP44 cl.150	JIS B2220, B2238, B2239			
		PN 6	PN 10	PN 16		5K	10K	16K	20K
40	1½	✓	✓	✓	•	✓	✓	✓	✓
50	2	✓	✓	✓	•	✓	✓	♦	♦
65	2½	✓	✓	✓	•	✓	✓	♦	♦
80	3	✓	✓	✓	•	✓	✓	✓	✓
100	4	-	✓	✓	•	✓	✓	✓	✓
125	5	✓	✓	✓	•	✓	✓	♦	♦
150	6	✓	✓	✓	•	✓	✓	♦	♦
200	8	✓	✓	✓	•	✓	✓	♦	♦
250	10	✓	✓	✓	•	✓	✓	♦	♦
300	12	✓	✓	✓	✓	✓	♦	♦	♦
350	14	✓	✓	✓	✓	✓	✓	✓	✓
400	16	✓	✓	✓	✓	✓	✓	✓	✓
450	18	✓	✓	✓	✓	✓	✓	✓	✓
500	20	✓	✓	✓	✓	✓	✓	✓	✓
550	22	•	•	•	✓	✓	✓	✓	✓
600	24	✓	✓	✓	✓	✓	✓	✓	✓

Table 37: Full-lug body with raised faces (T4) for standards ASME, AWWA , BS10 and AS2129

DN	NPS [inch]	ASME		AWWA C207 B,D,E	BS10		AS2129	
		B16.1 Cl.125	B16.5 Cl.150		Table D	Table E	Table D	Table E
40	1½	✓	✓	•	✓	✓	✓	✓
50	2	✓	✓	•	✓	✓	✓	✓
65	2½	✓	✓	•	✓	✓	✓	✓
80	3	✓	✓	•	✓	✓	✓	✓
100	4	✓	✓	✓	♦	✓	♦	✓
125	5	✓	✓	✓	✓	✓	✓	✓
150	6	✓	✓	✓	✓	✓	✓	✓
200	8	✓	✓	✓	✓	✓	✓	✓
250	10	✓	✓	✓	♦	✓	♦	✓
300	12	✓	✓	✓	✓	✓	✓	✓
350	14	✓	✓	✓	✓	✓	✓	✓
400	16	✓	✓	✓	♦	♦	♦	♦
450	18	✓	✓	✓	♦	✓	♦	✓
500	20	✓	✓	✓	♦	♦	♦	♦
550	22	•	•	✓	♦	♦	♦	♦
600	24	✓	✓	✓	♦	♦	♦	♦

Table 38: Symbols key

Symbol	Description	Symbol	Description
✓	Installation possible	•	Non-standardised connection
⊗	Contact KSB.	♦	Installation not possible

Table 39: Flanged body with flat faces (T5) for standards EN 1092, MSS SP44 Class 150, JIS B2220, JIS B2238 and JIS B2239

DN	NPS	EN 1092			MSS SP44 cl.150	JIS B2220, B2238, B2239			
		PN 6	PN 10	PN 16		5K	10K	16K	20K
150	6	✓	✓	✓	•	✓	✓	✓	✓
200	8	✓	✓	✓	•	✓	✓	✓	✓
250	10	✓	✓	✓	•	✓	✓	✓■	✓■
300	12	✓	✓	✓	✓	✓	✓	✓	✓
350	14	✓	✓	✓	✓	✓	✓	✓	✓
400	16	✓	✓	✓	✓	✓	✓	✓	✓
450	18	✓	✓	✓	✓	✓	✓	♦	♦
500	20	✓	✓	✓	✓	✓	✓	✓	✓
550	22	•	•	•	✓	✓	✓	♦	♦
600	24	✓	✓	✓	✓	✓	✓	✓	✓
650	26	•	•	•	✓■	✓■	✓■	♦	⊗
700	28	✓■	✓■	✓■	✓■	✓■	✓■	♦	⊗
750	30	•	•	•	✓■	✓■	✓■	♦	⊗
800	32	✓■	✓■	✓■	✓■	✓■	✓■	♦	⊗
900	36	✓■	✓■	✓■	✓■	✓■	✓■	♦	♦
1000	40	✓■	✓■	✓■	✓■	✓■	✓■	♦	♦

Table 40: Flanged body with flat faces (T5) for standards ASME, AWWA , BS10 and AS2129

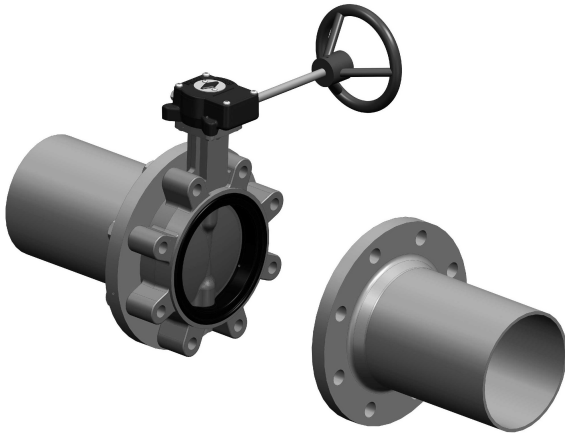
DN	NPS	ASME			AWWA C207 B,D,E	BS10		AS2129	
		B16.1 Cl. 125	B16.5 Cl. 150B16.1 Cl. 150	B16.47 Cl. 150		Table D	Table E	Table D	Table E
150	6	✓	✓	•	✓	✓	✓	✓	✓
200	8	✓	✓	•	✓	✓	✓	✓	✓
250	10	✓	✓	•	✓	♦	✓	♦	✓
300	12	✓	✓	•	✓	✓	✓	✓	✓
350	14	✓	✓	•	✓	✓	✓	✓	✓
400	16	✓	✓	•	✓	✓	✓	✓	✓
450	18	✓	✓	•	✓	✓	✓	✓	✓
500	20	✓	✓	•	✓	✓	✓	✓	✓
550	22	•	•	•	✓	✓	✓	✓	✓
600	24	✓	✓	•	✓	✓	✓	✓	✓
650	26	•	•	✓■	✓■	•	•	•	•
700	28	•	•	✓■	✓■	✓■	✓■	✓■	✓■
750	30	✓■	•	✓■	✓■	✓■	✓■	✓■	✓■
800	32	•	•	✓■	✓■	•	•	✓■	✓■
900	36	✓■	•	✓■	✓■	✓■	✓■	✓■	✓■
1000	40	•	•	✓■	✓■	✓■	✓■	✓■	✓■

Table 41: Symbols key

Symbol	Description	Symbol	Description
✓	Installation possible	•	Non-standardised connection
■	Downstream dismantling not possible	♦	Installation not possible
■	Flanged installation possible	⊗	Contact KSB.

Installation information

Dead-end service and downstream dismantling



Downstream dismantling

For downstream dismantling,
successively loosen diagonally opposed tie bolts.



Dead-end service

Flange dimensions

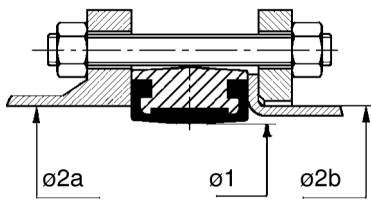
The valves can be installed between all commercial mating flanges and line connections without requiring any flange gaskets.

The elastomer liner alone provides a tight seal at the flange connections.

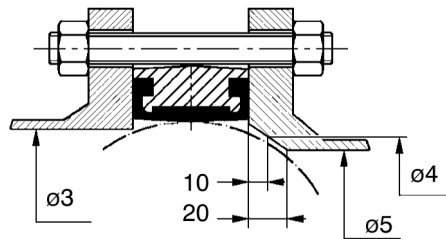
The drawings below show a valve of body type T1 installed between flanges.

Please verify that the connection meets the requirements given below.

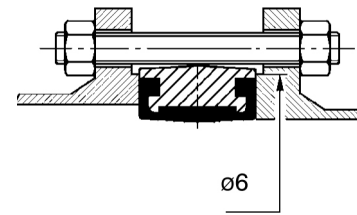
The flange dimensions indicated in the table apply to all body types.



Drawing A



Drawing B



Drawing C

Ø2a and Ø3: flange face diameter

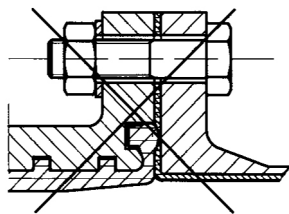
Ø2b: pipe OD with loose plate flange to DIN 2642 and NF E 29-251

Table 42: Dimensions table of ISORIA 10/16

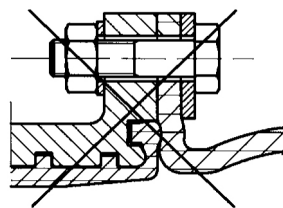
DN	NPS	Optimum Ø	Max. permissible Ø		Min. permissible Ø of flange face	Min. Ø at a distance of 10 mm from the flange face	Min. Ø at a distance of 20 mm from the flange face	Min. permissible raised face Ø of flanges with raised faces
			Ø2a	Ø2b				
	[inch]	Ø1	Ø2a	Ø2b	Ø3	Ø4	Ø5	Ø6
40	1½	40	54	49	32	-	-	77
50	2	49	63	61	33	-	-	86
65	2½	65	80	77	55	13	-	107
80	3	77	93	89	71	50	-	121
100	4	96	116	115	90	74	40	141
125	5	123	141,5	140	119	107	87	171
150	6	146	170,5 ²⁵⁾	169	144	134	120	196
200	8	196	222 ²⁵⁾	220	196	189	178	250
250	10	249	276,5 ²⁵⁾	273	249	243	234	306
300	12	298	327,5 ²⁵⁾	324	297	291	283	358
350	14	330	361	356	326	321	314	399
400	16	380	412	407	370	366	358	452
450	18	430	463	457	422	416	409	505
500	20	480	515	508	470	464	457	558
550	22	540	568	561	522	516	509	625
600	24	580	617	610	566	560	554	664
650	26	630	668	-	620	614	608	723
700	28	680	718	-	671	666	660	773
750	30	730	770	-	717	711	705	830
800	32	780	820	-	769	764	758	880
900	36	880	924	-	869	864	859	987
1000	40	980	1027	-	970	965	960	1094

²⁵ Verify that body is correctly centred between the tie bolts.

Coated flange



Flange with rubber coating



Expansion bellows

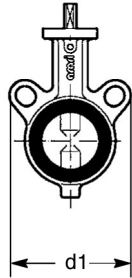
N.B.: Direct installation between rubber-coated flanges or with expansion bellows is not permitted. Contact us.

Installation between flanges made of polyethylene

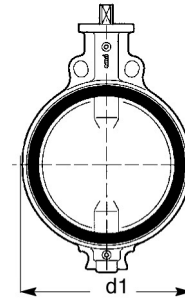
- Installation between flanges with flat faces is permitted.
- Installation between flanges with grooved faces is not permitted.

Bolting and weights

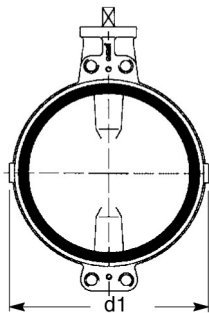
Bolting and weights for wafer-type body - T1



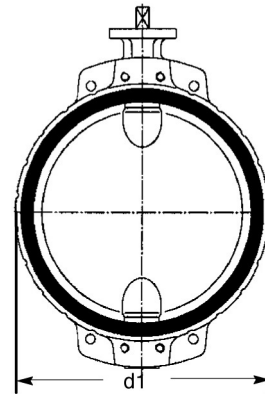
Drawing of ISORIA 10/16 T1 - DN 50



Drawing of ISORIA 10/16 T1 - DN 250



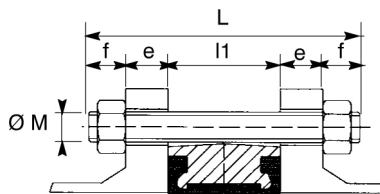
Drawing of ISORIA 10/16 T1 - DN 600



Drawing of ISORIA 10/16 T1 - DN 800

The drawings do not indicate the exact product design (number of tapped lugs/clearance holes).

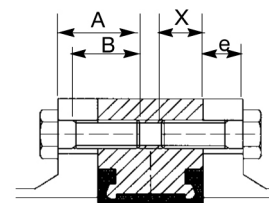
N.B.: Bolting is not included in our standard scope of supply.



Length of tie bolt for wafer-type body - T1

$$L = l1 + 2e + 2f$$

- L: minimum length of tie bolts
- l1: face-to-face length of valve
- e: flange thickness (customer-specific)
- f: thickness of nut + standardised overhang of tie bolt



Length of bolt at shaft passage for wafer-type body - T1

$$A = e + X$$

- A: max. bolt length
- X: max. thread engagement depth
- e: flange thickness (customer-specific)
- B: min. thread length > A-e

Table 43: Dimensions [mm] and weights [kg] for wafer-type body T1 - connections EN 1092-1 PN 10 and PN 16

DN	NPS	l1	d1	EN 1092-1 PN 10					EN 1092-1 PN 16					[kg]
				Ø M	Tie bolt ²⁶⁾		Bolt		Ø M	Tie bolt ²⁶⁾		Bolt		
	[inch]				f	Qty	X	Qty ²⁷⁾		f	Qty	X	Qty ²⁷⁾	
40	1½	33	108	M16	20	4	-	-	M16	20	4	-	-	1,1
50	2	43	118	M16	20	4	-	-	M16	20	4	-	-	1,3
65	2½	46	133	M16	20	4/8	-	-	M16	20	4/8	-	-	1,9
80	3	46	138	M16	20	8	-	-	M16	20	8	-	-	2,5
100	4	52	144	M16	20	8	-	-	M16	20	8	-	-	3,9
125	5	56	174	M16	20	8	-	-	M16	20	8	-	-	4,7
150	6	56	198	M20	24	8	-	-	M20	24	8	-	-	6,9
200	8	60	252	M20	24	8	-	-	M20	24	12	-	-	10,5
250	10	68	310	M20	24	12	-	-	M24	29	12	-	-	16,4
300	12	78	362	M20	24	12	-	-	M24	29	12	-	-	30
350	14	78	433	M20	24	16	-	-	M24	29	16	-	-	50
400	16	102	490	M24	29	16	-	-	M27	32	16	-	-	72
450	18	114	546	M24	29	16	24	4	M27	32	16	27	4	96
500	20	127	600	M24	29	20	-	-	M30	35	20	-	-	130
550	22	154	645	²⁸⁾	²⁸⁾	²⁸⁾	²⁸⁾	²⁸⁾	²⁸⁾	²⁸⁾	²⁸⁾	²⁸⁾	²⁸⁾	-
600	24	154	714	M27	32	20	-	4	M33	38	20	-	-	190
650	26	165	745	²⁸⁾	²⁸⁾	²⁸⁾	²⁸⁾	²⁸⁾	²⁸⁾	²⁸⁾	²⁸⁾	²⁸⁾	²⁸⁾	-
700	28	165	795	M27	32	20	30	4	M33	38	20	25	4	315
750	30	190	853	²⁸⁾	²⁸⁾	²⁸⁾	²⁸⁾	²⁸⁾	²⁸⁾	²⁸⁾	²⁸⁾	²⁸⁾	²⁸⁾	-
800	32	190	903	M30	35	20	33	4	M36	42	20	36	4	475
900	36	203	1111	M30	35	24	33	4	M36	42	24	36	4	545
1000	40	216	1118	M33	38	24	36	4	M39	45	24	29	4	670

Table 44: Dimensions [mm] and weights [kg] for wafer-type body T1 - connections JIS B2220, B2238, B2239 10K and 16K

DN	NPS	l1	d1	JIS B2220, B2238, B2239					JIS B2220, B2238, B2239					[kg]
				10K					16K					
	[inch]			Ø M	Tie bolts ²⁶⁾		Bolt		Ø M	Tie bolt ²⁶⁾		Bolt		
		f	Qty	X	Qty ²⁷⁾		f	Qty	X	Qty ²⁷⁾				
40	1½	33	108	M16	20	4	-	-	M16	20	4	-	-	1,1
50	2	43	118	M16	20	4	-	-	M16	20	8	-	-	1,3
65	2½	46	133	M16	20	4	-	-	M16	20	8	-	-	1,9
80	3	46	138	M16	20	8	-	-	M20	24	8	-	-	2,5
100	4	52	144	M16	20	8	-	-	M20	24	8	-	-	3,9
125	5	56	174	M20	24	8	-	-	M22	26	8	-	-	4,7
150	6	56	198	M20	24	8	-	-	M22	26	12	-	-	6,9
200	8	60	252	M20	24	12	-	-	M22	26	12	-	-	10,5
250	10	68	310	M22	26	12	-	-	M24	29	12	-	-	16,4
300	12	78	362	M22	26	16	-	-	M24	29	12	-	-	30
350	14	78	433	M22	26	16	-	-	M30x3	35	16	-	-	50
400	16	102	490	M24	29	16	-	-	M30x3	35	16	-	-	72
450	18	114	546	M24	29	16	24	4	M30x3	35	16	30	4	96
500	20	127	600	M24	29	20	-	-	M30x3	35	20	-	-	130
550	22	154	645	M30	35	16	30	4	M36x3	42	16	36	4	160
600	24	154	714	M30	35	20	30	4	M36x3	42	20	36	4	190
650	26	165	745	M30	35	20	37	4	M36x3	42	20	34	4	270
700	28	165	795	M30	45	20	34	4	M39x3	45	20	34	4	315
750	30	190	853	M30	35	20	37	4	M39x3	45	20	34	4	380
800	32	190	903	M30	35	20	37	4	M45x3	50	20	35	4	475
900	36	203	1111	M30	35	24	37	4	-	-	-	-	-	545
1000	40	216	1118	M36	42	24	37	4	-	-	-	-	-	670

8445.5 /06-EN

²⁶ Quantity of nuts = quantity of tie rods x 2

²⁷ Quantity of bolts x 2

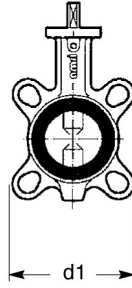
²⁸ Non-standardised connection

Table 45: Dimensions [mm] and weights [kg] for wafer-type body T1 - connections ASME and MSS SP 44 Class 150

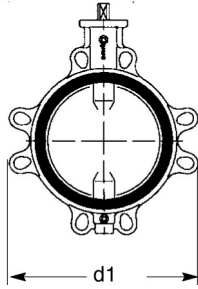
DN	NPS	l1	d1	ASME B16.5 Class 150 ²⁹⁾ ASME B16.1 Class 125 ²⁹⁾ MSS SP 44 Class 150 ²⁹⁾ ASME B16.47 Class 150 Series A ²⁹⁾					[kg]
				UNC	Tie bolt ²⁶⁾		Bolt		
	[inch]			[inch]	f	Qty	X	Qty ²⁷⁾	
40	1½	33	108	1/2	17	4	-	-	1,1
50	2	43	118	5/8	20	4	-	-	1,3
65	2½	46	133	5/8	20	4	-	-	1,9
80	3	46	138	5/8	20	4	-	-	2,5
100	4	52	144	5/8	20	8	-	-	3,9
125	5	56	174	3/4	24	8	-	-	4,7
150	6	56	198	3/4	24	8	-	-	6,9
200	8	60	252	3/4	24	8	-	-	10,5
250	10	68	310	7/8	29	12	-	-	16,4
300	12	78	362	7/8	29	12	-	-	30
350	14	78	433	1	32	12	-	-	50
400	16	102	490	1	32	16	-	-	72
450	18	114	546	1 1/8	35	16	-	-	96
500	20	127	600	1 1/8	35	16	30	4	130
550	22	154	645	1 1/4	38	16	33	4	160
600	24	154	714	1 1/4	38	20	-	-	190
650	26	165	745	1 1/4	38	20	25	4	270
700	28	165	795	1 1/4	38	24	25	4	315
750	30	190	853	1 1/4	38	24	33	4	380
800	32	190	903	1 1/2	45	24	29	4	475
900	36	203	1111	1 1/2	45	28	29	4	545
1000	40	216	1118	1 1/2	45	32	35	4	670

²⁹⁾ For DN's concerned, see connection standards.

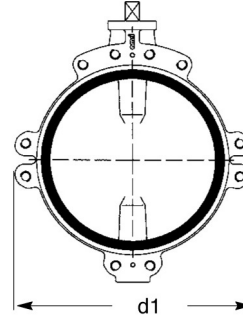
Bolting and weights for semi-lug body - T2



Drawing of ISORIA 10/16 T2 – DN 65



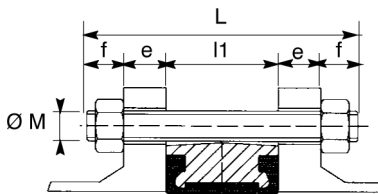
Drawing of ISORIA 10/16 T2 – DN 250



Drawing of ISORIA 10/16 T2 – DN 600

The drawings do not indicate the exact product design (number of tapped lugs/clearance holes).

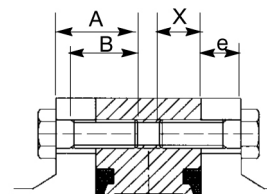
N.B.: Bolting is not included in our standard scope of supply.



Length of tie bolt for semi-lug body – T2

$$L = l1 + 2e + 2f$$

- L: minimum length of tie bolts
- l1: face-to-face length of valve
- e: flange thickness (customer-specific)
- f: thickness of nut + standardised overhang of tie bolt



Length of bolt at shaft passage for semi-lug body – T2

$$A = e + X$$

- A: max. bolt length
- X: max. thread engagement depth
- e: flange thickness (customer-specific)
- B: min. thread length > A-e

Table 46: Dimensions [mm] and weights [kg] for semi-lug body T2 – connections EN 1092-1 PN 10 and PN 16

DN	NPS	l1	d1	EN 1092-1 PN 10					EN 1092-1 PN 16					[kg]
				Ø M	Tie bolt ³⁰⁾		Bolt		Ø M	Tie bolt ³⁰⁾		Bolt		
	[inch]				f	Qty	X	Qty ³¹⁾		f	Qty	X	Qty ³¹⁾	
40	1½	33	108	M16	20	4	-	-	M16	20	4	-	-	1,1
50	2	43	118	M16	20	4	-	-	M16	20	4	-	-	1,3
65	2½	46	132	M16	20	4/8	-	-	M16	20	4/8	-	-	1,9
80	3	46	138	M16	20	8	-	-	M16	20	8	-	-	2,5
100	4	52	150	M16	20	8	-	-	M16	20	8	-	-	3,9
125	5	56	234	M16	20	8	-	-	M16	20	8	-	-	4,7
150	6	56	260	M20	24	8	-	-	M20	24	8	-	-	6,9
200	8	60	322	M20	24	8	-	-	M20	24	12	-	-	10,5
250	10	68	394	M20	24	12	-	-	M24	29	12	-	-	16,4
300	12	78	462	M20	24	12	-	-	M24	29	12	-	-	30
350	14	78	538	M20	24	10	20	6	M24	29	10	24	6	60
400	16	102	604	M24	29	10	24	6	M27	32	10	27	6	80
450	18	114	656	M24	29	14	24	6	M27	32	14	27	6	110
500	20	127	716	M24	29	12	24	8	M30	35	12	30	8	145
550	22	154	804	³²⁾	³²⁾	³²⁾	³²⁾	³²⁾	³²⁾	³²⁾	³²⁾	³²⁾	³²⁾	³²⁾
600	24	154	836	M27	32	10	27	10	M33	38	10	33	10	220

Table 47: Dimensions [mm] and weights [kg] for semi-lug body T2 – connections JIS B2220, B2238, B2239 10K and 16K

DN	NPS	l1	d1	JIS B2220, B2238, B2239 10K					JIS B2220, B2238, B2239 16K					[kg]
				Ø M	Tie bolt ³⁰⁾		Bolt		Ø M	Tie bolt ³⁰⁾		Bolt		
	[inch]				f	Qty	X	Qty ³¹⁾		f	Qty	X	Qty ³¹⁾	
40	1½	33	108	M16	20	4	-	-	M16	20	4	-	-	1,1
50	2	43	118	M16	20	4	-	-	M16	20	8	-	-	1,3
65	2½	46	132	M16	20	4	-	-	M16	20	8	-	-	1,9
80	3	46	138	M16	20	8	-	-	M20	24	8	-	-	2,5
100	4	52	150	M16	20	8	-	-	M20	24	8	-	-	3,9
125	5	56	234	M20	24	8	-	-	M22	26	8	-	-	4,7
150	6	56	260	M20	24	8	-	-	M22	26	12	-	-	6,9
200	8	60	322	M20	24	12	-	-	M22	26	12	-	-	10,5
250	10	68	394	M22	26	12	-	-	M24	29	12	-	-	16,4
300	12	78	462	M22	26	16	-	-	M24	29	12	-	-	30
350	14	78	538	M22	26	10	22	6	M30 x 3	35	10	30	6	60
400	16	102	604	M24	29	10	24	6	M30 x 3	35	16	30	6	80
450	18	114	656	M24	29	12	24	6	M30 x 3	35	14	30	6	110
500	20	127	716	M24	29	12	24	8	M30 x 3	35	12	30	8	145
550	22	154	804	M24	35	12	30	8	M36 x 3	42	12	36	8	180
600	24	154	836	M30	35	14	30	10	M36x3	42	14	36	10	220

³⁰⁾ Quantity of nuts = quantity of tie bolts x 2

³¹⁾ Quantity of bolts x 2

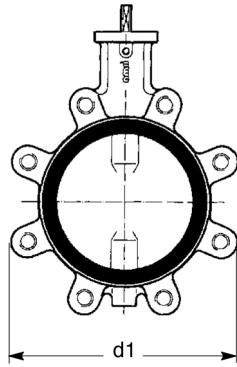
³²⁾ Non-standardised connection

Table 48: Dimensions [mm] and weights [kg] for semi-lug body T2 – connections ASME and MSS SP 44 Class 150

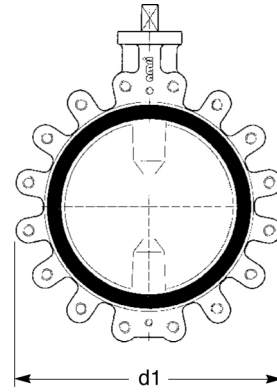
DN	NPS	l1	d1	ASME B16.5 Class 150 ³³⁾ ASME B16.1 Class 125 ³³⁾ MSS SP 44 Cl. 150 ³³⁾ ASME B16.47 Cl. 150 Series A ³³⁾					[kg]
				UNC	Tie bolt ³⁰⁾		Bolt		
	[inch]			f	Qty	X	Qty ³¹⁾		
40	1½	33	108	1/2	17	4	-	-	1,1
50	2	43	118	5/8	20	4	-	-	1,3
65	2½	46	132	5/8	20	4	-	-	1,9
80	3	46	138	5/8	20	4	-	-	2,5
100	4	52	150	5/8	20	8	-	-	3,9
125	5	56	234	3/4	24	8	-	-	4,7
150	6	56	260	3/4	24	8	-	-	6,9
200	8	60	322	3/4	24	8	-	-	10,5
250	10	68	394	7/8	29	12	-	-	16,4
300	12	78	462	7/8	29	12	-	-	30
350	14	78	538	1	32	6	27	6	60
400	16	102	604	1	32	10	27	6	80
450	18	114	656	1 1/8	35	10	30	6	110
500	20	127	716	1 1/8	35	12	30	8	145
550	22	154	804	1 1/4	38	12	32	8	180
600	24	154	836	1 1/4	38	10	32	10	220

³³⁾ For DN's concerned, see connection standards.

Bolting and weights for full-lug body with flat faces - T3



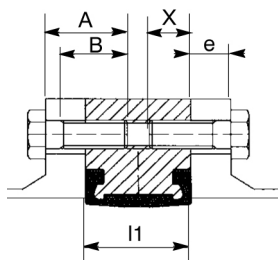
Drawing of ISORIA 10/16 T3 - DN 150



Drawing of ISORIA 10/16 T3 - DN 600

The drawings do not indicate the exact product design (number of lugs).

N.B.: Bolting is not included in our standard scope of supply.



$$A = e + X$$

- A: max. bolt length
- X: max. thread engagement depth
- e: flange thickness (customer-specific)
- B: min. thread length > A-e
- l1: face-to-face length of valve

Length of bolts for full-lug body with flat faces - T3

Table 49: Dimensions [mm] and weights [kg] for full-lug body with flat faces T3 - connections EN 1092-1, PN 10 and PN 16

DN	NPS [inch]	l1	d1	EN 1092-1 PN 10				EN 1092-1 PN 16				[kg]		
				Ø M	Tie bolts ³⁴⁾		Bolt		Ø M	Tie bolts ³⁴⁾			Bolt	
					f	Qty	X	Qty ³⁵⁾		f	Qty		X	Qty ³⁵⁾
40	1½	33	108	M16	-	-	14	4	M16	-	-	14	4	2
50	2	43	120	M16	-	-	18	4	M16	-	-	18	4	2,5
65	2½	46	134	M16	-	-	20	4/8	M16	-	-	20	4/8	3
80	3	46	140	-	-	-	-	-	-	-	-	-	-	4
80	3	46	178	M16	-	-	20	8	M16	-	-	20	8	4,5
100	4	52	210	M16	-	-	22	8	M16	-	-	22	8	5,5
125	5	56	236	M16	-	-	22	8	M16	-	-	22	8	9
150	6	56	260	M20	-	-	26	8	M20	-	-	26	8	11
200	8	60	312	M20	-	-	26	8	-	-	-	-	-	24
200	8	60	322	-	-	-	-	-	M20	-	-	26	12	25
250	10	68	396	M20	-	-	26	12	M24	-	-	29	12	39
300	12	78	466	M20	-	-	26	12	M24	-	-	30	12	46
350	14	78	510	-	-	-	-	-	-	-	-	-	-	62
350	14	78	530	M20	-	-	26	16	M24	-	-	30	16	70
400	16	102	598	M24	-	-	31	16	M27	-	-	34	16	101
450	18	114	622	³⁶⁾	-	-	³⁶⁾	³⁶⁾	³⁶⁾	-	-	³⁶⁾	³⁶⁾	122
450	18	114	654	M24	-	-	31	20	M27	-	-	34	20	139
500	20	127	708	M24	-	-	24	8	M30	-	-	30	8	145
550	22	154	774	³⁶⁾	-	-	³⁶⁾	³⁶⁾	³⁶⁾	-	-	³⁶⁾	³⁶⁾	179
600	24	154	822	M27	-	-	27	10	M33	-	-	33	10	233
600	24	154	830	³⁶⁾	-	-	³⁶⁾	³⁶⁾	³⁶⁾	-	-	³⁶⁾	³⁶⁾	233

Table 50: Dimensions [mm] and weights [kg] for full-lug body with flat faces T3 - connections JIS B2220, B2238, B2239 10K and 16K

DN	NPS [inch]	l1	d1	JIS B2220, B2238, B2239 10K				JIS B2220, B2238, B2239 16K				[kg]		
				Ø M	Tie bolts ³⁴⁾		Bolt		Ø M	Tie bolt ³⁴⁾			Bolt	
					f	Qty	X	Qty ³⁵⁾		f	Qty		X	Qty ³⁵⁾
40	1½	33	108	M16	-	-	14	4	M16	-	-	14	4	2
50	2	43	120	M16	-	-	18	4	³⁶⁾	-	-	³⁶⁾	³⁶⁾	2,5
65	2½	46	134	M16	-	-	20	4	³⁶⁾	-	-	³⁶⁾	³⁶⁾	3
80	3	46	140	³⁶⁾	-	-	³⁶⁾	³⁶⁾	-	-	-	-	-	4
80	3	46	178	M16	-	-	20	8	M20	-	-	20	8	4,5
100	4	52	210	M16	-	-	22	8	M20	-	-	24	8	5,5
125	5	56	236	M20	-	-	23	8	³⁶⁾	-	-	³⁶⁾	³⁶⁾	9
150	6	56	260	M20	-	-	26	8	³⁶⁾	-	-	³⁶⁾	³⁶⁾	11
200	8	60	312	³⁶⁾	-	-	³⁶⁾	³⁶⁾	³⁶⁾	-	-	³⁶⁾	³⁶⁾	24
200	8	60	322	M20	-	-	26	12	³⁶⁾	-	-	³⁶⁾	³⁶⁾	25
250	10	68	396	M22	-	-	28	12	³⁶⁾	-	-	³⁶⁾	³⁶⁾	39
300	12	78	466	³⁶⁾	-	-	³⁶⁾	³⁶⁾	M24	-	-	30	16	46
350	14	78	510	³⁶⁾	-	-	³⁶⁾	³⁶⁾	-	-	-	-	-	62
350	14	78	530	M22	-	-	28	16	M30x3	-	-	34	16	70
400	16	102	598	M24	-	-	31	16	M30x3	-	-	37	16	101
450	18	114	622	³⁶⁾	-	-	³⁶⁾	³⁶⁾	-	-	-	-	-	122
450	18	114	654	M27	-	-	34	20	M30x3	-	-	37	20	139
500	20	127	708	M27	-	-	34	20	M30x3	-	-	37	20	145
550	22	154	774	M27	-	-	34	20	M30x3	-	-	42	20	179
600	24	154	822	³⁶⁾	-	-	³⁶⁾	³⁶⁾	-	-	-	-	-	233
600	24	154	830	M30	-	-	32	24	M36x3	-	-	34	24	233

8445.5 /06-EN

³⁴ Quantity of nuts = quantity of tie rods x 2

³⁵ Quantity of bolts x 2

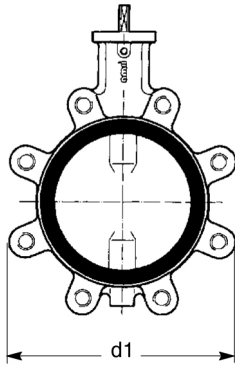
³⁶ Non-standardised connection

Table 51: Dimensions [mm] and weights [kg] for full-lug body with flat faces T3 - connections ASME and MSS SP 44 Class 150

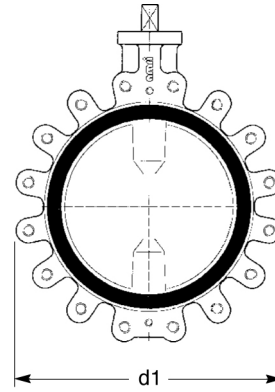
DN	NPS	l1	d1	ASME B16.5 Class 150 ³⁷⁾ ASME B16.1 Class 125 ³⁷⁾ MSS SP 44 Class 150 ³⁷⁾ ASME B16.47 Class 150 Series A ³⁷⁾					[kg]
				UNC	Tie bolt ³⁴⁾		Bolt		
	[inch]			f	Qty	X	Qty ³⁵⁾		
40	1½	33	108	1/2	-	-	14	4	2
50	2	43	120	5/8	-	-	18	4	2,5
65	2½	46	134	5/8	-	-	20	4	3
80	3	46	140	5/8	-	-	20	4	4
80	3	46	178	³⁶⁾	-	-	³⁶⁾	³⁶⁾	4,5
100	4	52	210	5/8	-	-	22	8	5,5
125	5	56	236	3/4	-	-	23	8	9
150	6	56	260	3/4	-	-	26	8	11
200	8	60	312	3/4	-	-	26	8	24
200	8	60	322	³⁶⁾	-	-	³⁶⁾	³⁶⁾	25
250	10	68	396	7/8	-	-	28	12	39
300	12	78	466	7/8	-	-	28	12	46
350	14	78	510	1	-	-	30	12	62
350	14	78	530	³⁶⁾	-	-	³⁶⁾	³⁶⁾	70
400	16	102	598	1	-	-	34	16	101
450	18	114	622	1 1/8	-	-	37	16	122
450	18	114	654	³⁶⁾	-	-	³⁶⁾	³⁶⁾	139
500	20	127	708	1 1/8	-	-	37	20	145
550	22	154	774	1 1/4	-	-	39	20	179
600	24	154	822	1 1/4	-	-	42	20	233
600	24	154	830	³⁶⁾	-	-	³⁶⁾	³⁶⁾	233

³⁷⁾ For DN's concerned, see connection standards.

Bolting and weights for full-lug body with raised faces - T4



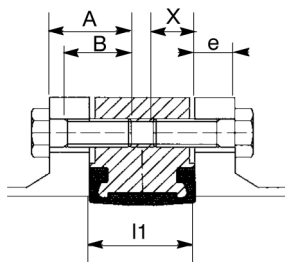
Drawing of ISORIA 10/16 T4 – DN 150



Drawing of ISORIA 10/16 T4 – DN 600

The drawings do not indicate the exact product design (number of lugs).

N.B.: Bolting is not included in our standard scope of supply.



$$A = e + X$$

- A: max. bolt length
- X: max. thread engagement depth
- e: flange thickness (customer-specific)
- B: min. thread length > A-e

Length of bolts for full-lug body with raised faces – T4

Table 52: Dimensions [mm] and weights [kg] for full-lug body with raised faces T4 – connections EN 1092-1, PN 10 and PN 16

DN	NPS	l1	d1	EN 1092-1 PN 10					EN 1092-1 PN 16					[kg]
				Ø M	Tie bolt ³⁸⁾		Bolt		Ø M	Tie bolt ³⁸⁾		Bolt		
	[inch]				f	Qty	X	Qty ³⁹⁾		f	Qty	X	Qty ³⁹⁾	
40	1½	33	108	M16	-	-	14	4	M16	-	-	14	4	2
50	2	43	120	M16	-	-	18	4	M16	-	-	18	4	2,5
65	2½	46	134	M16	-	-	-	-	M16	-	-	20	4	3
80 ⁴⁰⁾	3	46	140	-	-	-	-	-	-	-	-	-	-	4
41)80	3	46	178	M16	-	-	20	8	M16	-	-	20	8	4,5
100	4	52	210	M16	-	-	22	8	M16	-	-	22	8	5,5
125	5	56	236	M16	-	-	22	8	M16	-	-	22	8	9
150	6	56	260	M20	-	-	26	8	M20	-	-	26	8	11
200 ⁴²⁾	8	60	312	M20	-	-	26	8	-	-	-	-	-	24
200 ⁴³⁾	8	60	322	-	-	-	-	-	M20	-	-	26	12	25
250	10	68	396	M20	-	-	26	12	M24	-	-	29	12	39
300	12	78	466	M20	-	-	26	12	M24	-	-	30	12	46
350 ⁴⁰⁾	14	78	510	-	-	-	-	-	-	-	-	-	-	62
350 ⁴¹⁾	14	78	530	M20	-	-	26	16	M24	-	-	30	16	70
400	16	102	598	M24	-	-	31	16	M27	-	-	34	16	101
450 ⁴⁰⁾	18	114	622	44)	-	-	44)	44)	44)	-	-	44)	44)	122
450 ⁴¹⁾	18	114	654	M24	-	-	31	20	M27	-	-	34	20	139
500	20	127	708	M24	-	-	24	8	M30	-	-	30	8	145
550	22	154	774	44)	-	-	44)	44)	44)	-	-	44)	44)	179
600 ⁴⁵⁾	24	154	822	M27	-	-	27	10	M33	-	-	33	10	233
600 ⁴⁶⁾	24	154	830	-	-	-	-	-	-	-	-	-	-	233

Table 53: Dimensions [mm] and weights [kg] for full-lug body with raised faces T4 – connections JIS B2220, B2238, B2239 10K and 16K

DN	NPS	l1	d1	JIS B2220, B2238, B2239 10K					JIS B2220, B2238, B2239 16K					[kg]
				Ø M	Tie bolt ³⁸⁾		Bolt		Ø M	Tie bolt ³⁸⁾		Bolt		
	[inch]				f	Qty	X	Qty ³⁹⁾		f	Qty	X	Qty ³⁹⁾	
40	1½	33	108	M16	-	-	14	4	M16	-	-	14	4	2
50	2	43	120	M16	-	-	18	4	44)	-	-	44)	44)	2,5
65	2½	46	134	M16	-	-	20	4	44)	-	-	44)	44)	3
80 ⁴⁰⁾	3	46	140	-	-	-	-	-	-	-	-	-	-	4
80 ⁴¹⁾	3	46	178	M16	-	-	20	8	M20	-	-	20	8	4,5
100	4	52	210	M16	-	-	22	8	M20	-	-	24	8	5,5
125	5	56	236	M20	-	-	23	8	44)	-	-	44)	44)	9
150	6	56	260	M20	-	-	26	8	44)	-	-	44)	44)	11
200 ⁴²⁾	8	60	312	-	-	-	-	-	44)	-	-	44)	44)	24
200 ⁴³⁾	8	60	322	M20	-	-	26	12	44)	-	-	44)	44)	25
250	10	68	396	M22	-	-	28	12	44)	-	-	44)	44)	39
300	12	78	466	44)	-	-	44)	44)	M24	-	-	30	16	46
350 ⁴⁰⁾	14	78	510	-	-	-	-	-	-	-	-	-	-	62
350 ⁴¹⁾	14	78	530	M22	-	-	28	16	M30x3	-	-	34	16	70

³⁸ Quantity of nuts = quantity of tie bolts x 2

³⁹ Quantity of bolts x 2

⁴⁰ Installation between flanges EN 1092 PN 6, ASME B16.5 Cl. 150, JIS B2220, B2238 and B2239-5K, BS 10 Tables D and E and AS 2129 Tables D and E

⁴¹ Installation between flanges EN 1092 PN 10, PN 16 and JIS B2220, B2238 and B2239 - 10K and 16K

⁴² Installation between flanges EN 1092 PN 6 and 10, ASME B16.5 Cl. 150, AWWA C 207 B, D and E, BS 10 Tables D and E, AS 2129 Tables D and E and JIS B2220, B2238 and B2239-5K

⁴³ Installation between flanges EN 1092 PN 16 and JIS B2220, B2238 and B2239-10K

⁴⁴ Non-standardised connection

⁴⁵ Installation between flanges EN 1092 PN 10, PN 16, ASME B16.5 Cl. 150 and JIS B2220, B2238 and B2239-5K

⁴⁶ Installation between flanges JIS B2220, B2238 and B2239-10K

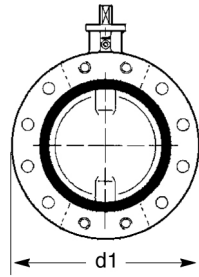
DN	NPS [inch]	I1	d1	JIS B2220, B2238, B2239					JIS B2220, B2238, B2239					[kg]
				10K					16K					
				Ø M	Tie bolt ³⁸⁾		Bolt		Ø M	Tie bolt ³⁸⁾		Bolt		
	f	Qty	X	Qty ³⁹⁾		f	Qty	X	Qty ³⁹⁾					
400	16	102	598	M24	-	-	31	16	M30x3	-	-	37	16	101
450 ⁴⁰⁾	18	114	622	⁴⁴⁾	-	-	⁴⁴⁾	⁴⁴⁾	-	-	-	-	-	122
450 ⁴¹⁾	18	114	654	M27	-	-	34	20	M30x3	-	-	37	20	139
500	20	127	708	M27	-	-	34	20	M30x3	-	-	37	20	145
550	22	154	774	M27	-	-	34	20	M36x3	-	-	42	20	179
600 ⁴⁵⁾	24	154	822	-	-	-	-	-	-	-	-	-	-	233
600 ⁴⁶⁾	24	154	830	M30	-	-	32	24	M36x3	-	-	34	24	233

Table 54: Dimensions [mm] and weights [kg] for full-lug body with raised faces T4 – connections ASME and MSS SP 44 Class 150

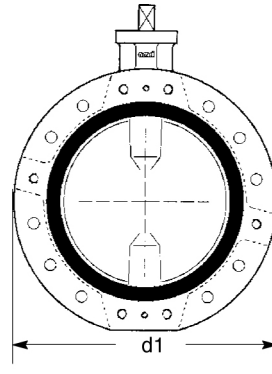
DN	NPS [inch]	I1	d1	ASME B16.5 Class 150 ⁴⁷⁾ ASME B16.1 Class 125 ⁴⁷⁾ MSS SP 44 Cl. 150 ⁴⁷⁾ ASME B16.47 Cl. 150 Series A ⁴⁷⁾					[kg]
				UNC	Tie bolt ³⁸⁾		Bolt		
				[inch]	f	Qty	X	Qty ³⁹⁾	
40	1½	33	108	1/2	-	-	14	4	2
50	2	43	120	5/8	-	-	18	4	2,5
65	2½	46	134	5/8	-	-	20	4	3
80 ⁴⁰⁾	3	46	140	5/8	-	-	20	4	4
80 ⁴¹⁾	3	46	178	-	-	-	-	-	4,5
100	4	52	210	5/8	-	-	22	8	5,5
125	5	56	236	3/4	-	-	23	8	9
150	6	56	260	3/4	-	-	26	8	11
200 ⁴²⁾	8	60	312	3/4	-	-	26	8	24
200 ⁴³⁾	8	60	322	-	-	-	-	-	25
250	10	68	396	7/8	-	-	28	12	39
300	12	78	466	7/8	-	-	28	12	46
350 ⁴⁰⁾	14	78	510	1	-	-	30	12	62
350 ⁴¹⁾	14	78	530	⁴⁴⁾	-	-	⁴⁴⁾	⁴⁴⁾	70
400	16	102	598	1	-	-	34	16	101
450 ⁴⁰⁾	18	114	622	1 1/8	-	-	37	16	122
450 ⁴¹⁾	18	114	654	⁴⁴⁾	-	-	⁴⁴⁾	⁴⁴⁾	139
500	20	127	708	1 1/8	-	-	37	20	145
550	22	154	774	1 1/4	-	-	39	20	179
600 ⁴⁵⁾	24	154	822	1 1/4	-	-	42	20	233
600 ⁴⁶⁾	24	154	830	-	-	-	-	-	233

⁴⁷⁾ For DN's concerned, see connection standards.

Bolting and weights for flanged body with flat faces - T5 DN 150 - 600



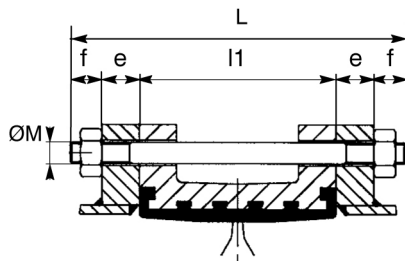
Drawing of ISORIA 10/16 T5 – DN 250



Drawing of ISORIA 10/16 T5 – DN 400

The drawings do not indicate the exact product design
(number of tapped holes/plain holes)

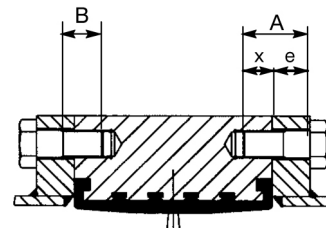
N.B.: Bolting is not included in our standard scope of supply.



Length of tie bolt for flanged body with flat faces
– T5

$$L = l1 + 2e + 2f$$

- L: minimum length of tie bolt
- l1: face-to-face length of valve
- e: flange thickness (customer-specific)
- f: thickness of nut + standardised overhang of tie bolt



Length of bolt at shaft passage for flanged body with flat faces
– T5

$$A = e + X$$

- A: max. bolt length
- X: max. thread engagement depth
- e: flange thickness (customer-specific)
- B: min. thread length > A-e

Table 55: Dimensions [mm] and weights [kg] for flanged body with flat faces T5 – connections EN 1092-1, PN 10 and PN 16

DN	NPS	l1	d1	EN 1092-1 PN 10					EN 1092-1 PN 16					[kg]
				Ø M	Tie bolt ⁴⁸⁾		Bolt		Ø M	Tie bolt ⁴⁸⁾		Bolt		
	[inch]				f	Qty	X	Qty ⁴⁹⁾		f	Qty	X	Qty ⁴⁹⁾	
150	6	56	260	M20	24	4	20	4	M20	24	4	16	4	11
200	8	60	322	M20	24	4	20	4	M20	24	8	16	4	23
250	10	68	394	M20	24	8	20	4	M24	29	8	24	4	40
300	12	78	462	M20	24	6	20	6	M24	29	6	24	6	60
350	14	78	538	M20	24	10	20	6	M24	29	10	24	6	80
400	16	102	604	M24	29	10	24	6	M27	32	10	27	6	105
450	18	114	656	M24	29	14	24	6	M27	32	14	27	6	130
500	20	127	716	M24	29	12	24	8	M30	35	12	30	8	180
550	22	154	804	⁵⁰⁾	⁵⁰⁾	⁵⁰⁾	⁵⁰⁾	⁵⁰⁾	⁵⁰⁾	⁵⁰⁾	⁵⁰⁾	⁵⁰⁾	⁵⁰⁾	⁵⁰⁾
600	24	154	836	M27	32	10	27	10	M33	38	10	33	10	260

Table 56: Dimensions [mm] and weights [kg] for flanged body with flat faces T5 – connections JIS B2220, B2238, B2239 10K and 16K

DN	NPS	l1	d1	JIS B2220, B2238, B2239 10K					JIS B2220, B2238, B2239 16K					[kg]
				Ø M	Tie bolt ⁴⁸⁾		Bolt		Ø M	Tie bolt ⁴⁸⁾		Bolt		
	[inch]				f	Qty	X	Qty ⁴⁹⁾		f	Qty	X	Qty ⁴⁹⁾	
150	6	56	260	M20	24	4	20	4	M22	26	8	22	4	11
200	8	60	322	M20	24	8	20	4	M22	26	8	22	4	23
250	10	68	394	M22	26	8	22	4	M24	29	8	24	4	40
300	12	78	462	M22	26	10	22	6	M24	29	10	24	6	60
350	14	78	538	M22	26	10	22	6	M30x3	35	10	30	6	80
400	16	102	604	M24	29	10	24	6	M30x3	35	10	30	6	105
450	18	114	656	M24	29	12	24	6	-	-	-	-	-	130
500	20	127	716	M24	29	12	24	8	M30x3	35	12	30	8	180
550	22	154	804	M30	35	12	30	8	-	-	-	-	-	230
600	24	154	836	M30	35	14	30	10	M30x3	42	14	36	10	260

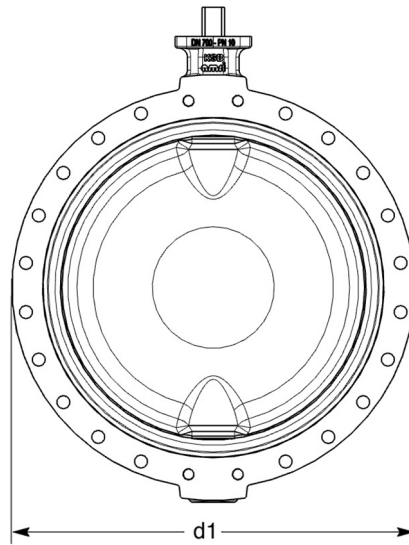
Table 57: Dimensions [mm] and weights [kg] for flanged body with flat faces T5 – connections ASME and MSS SP 44 Class 150

DN	NPS	l1	d1	ASME B16.5 Class 150 ⁵¹⁾ ASME B16.1 Class 125 ⁵¹⁾ MSS SP 44 Cl.150 ⁵¹⁾ ASME B16.47 Cl.150 Series A ⁵¹⁾					[kg]
				UNC	Tie bolt ⁴⁸⁾		Bolt		
	[inch]				f	Qty	X	Qty ⁴⁹⁾	
150	6	56	260	3/4	24	4	20	4	11
200	8	60	322	3/4	24	4	20	4	23
250	10	68	394	7/8	29	8	24	4	40
300	12	78	462	7/8	29	6	24	6	60
350	14	78	538	1	32	6	27	6	80
400	16	102	604	1	32	10	27	6	105
450	18	114	656	1 1/8	35	10	30	6	130
500	20	127	716	1 1/8	35	12	30	8	180
550	22	154	804	1 1/4	38	12	32	8	230
600	24	154	836	1 1/4	38	10	32	10	260

⁴⁸⁾ Quantity of nuts = quantity of tie bolts x 2
⁴⁹⁾ Quantity of bolts x 2
⁵⁰⁾ Non-standardised connection
⁵¹⁾ For DN's concerned, see connection standards.

Bolting and weights for flanged body with flat faces - T5 DN 650 - 600

Flanged installation is permitted up to a max. differential pressure of 10 bar.

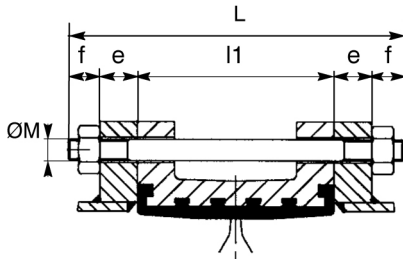


Drawing of ISORIA 10/16 T5 – DN 700

The drawings do not indicate the exact product design (number of tapped holes/clearance holes).

N.B.: Bolting is not included in our standard scope of supply.

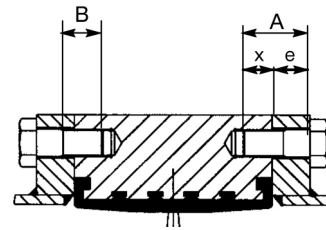
Installation between flanges



Length of tie bolt for flanged body with flat faces – T5

$$L = l1 + 2e + 2f$$

- L: minimum length of tie bolts
- l1: face-to-face length of valve
- e: flange thickness (customer-specific)
- f: thickness of nut + standardised overhang of tie bolt

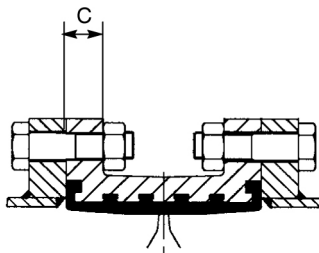


Length of bolt at shaft passage for flanged body with flat faces – T5

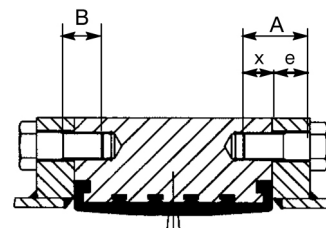
$$A = e + X$$

- A: max. bolt length
- X: max. thread engagement depth
- e: flange thickness (customer-specific)
- B: min. thread length > A-e
- C: flange thickness

Flanged installation



Length of bolts for flanged body with flat faces – T5



Length of bolt at shaft passage for flanged body with flat faces – T5

Information on fasteners available on request

Table 58: Dimensions [mm] and weights [kg] for flanged body with flat faces T5 – connections EN 1092-1, PN 10 and PN 16

DN	NPS	I1	d1	C	EN 1092-1 PN 10					EN 1092-1 PN 16					[kg]
					Ø M	Tie bolt ⁵²⁾		Bolt		Ø M	Tie bolt ⁵²⁾		Bolt		
	[inch]					f	Qty	X	Qty ⁵³⁾		f	Qty	X	Qty ⁵³⁾	
650	26	165	835 ⁵⁴⁾	31	55)	55)	55)	55)	55)	55)	55)	55)	55)	55)	-
650	26	165	869 ⁵⁶⁾	31	55)	55)	55)	55)	55)	55)	55)	55)	55)	55)	-
700	28	165	895 ⁵⁴⁾	32,5	M27	32	20	27	4	-	-	-	-	-	330
700	28	165	925 ⁵⁷⁾	32,5	-	-	-	-	-	M33	38	20	25	4	350
750	30	190	965 ⁵⁴⁾	33,5	-	-	-	-	-	-	-	-	-	-	405
750	30	190	985 ⁵⁷⁾	33,5	-	-	-	-	-	-	-	-	-	-	425
800	32	190	1015 ⁵⁴⁾	35	M30	35	20	30	4	-	-	-	-	-	505
800	32	190	1075 ⁵⁷⁾	35	-	-	-	-	-	M36	42	20	36	4	525
900	36	203	1115 ⁵⁴⁾	37,5	M30	35	24	30	4	-	-	-	-	-	590
900	36	203	1160 ⁵⁷⁾	37,5	-	-	-	-	-	M36	42	24	36	4	620
1000	40	216	1230 ⁵⁴⁾	40	M33	38	24	33	4	-	-	-	-	-	740
1000	40	216	1275 ⁵⁷⁾	40	-	-	-	-	-	M39	45	24	29	4	780

Table 59: Dimensions [mm] and weights [kg] for flanged body with flat faces T5 – connections JIS B2220, B2238, B2239 10K and 16K

DN	NPS	I1	d1	C	JIS B2220, B2238, B2239 10K					JIS B2220, B2238, B2239 16K					[kg]
					Ø M	Tie bolt ⁵²⁾		Bolt		Ø M	Tie bolt ⁵²⁾		Bolt		
	[inch]					f	Qty	X	Qty ⁵³⁾		f	Qty	X	Qty ⁵³⁾	
650	26	165	835 ⁵⁴⁾	31	M30	35	20	37	4	M30	35	20	37	4	285
650	26	165	869 ⁵⁶⁾	31	-	-	-	-	-	-	-	-	-	-	305
700	28	165	895 ⁵⁴⁾	32,5	M30	35	20	37	4	M30	35	20	37	4	330
700	28	165	925 ⁵⁷⁾	32,5	-	-	-	-	-	-	-	-	-	-	350
750	30	190	965 ⁵⁴⁾	33,5	M30	35	20	37	4	M30	35	20	37	4	405
750	30	190	985 ⁵⁷⁾	33,5	-	-	-	-	-	-	-	-	-	-	425
800	32	190	1015 ⁵⁴⁾	35	M30	35	24	37	4	M30	35	24	37	4	505
800	32	190	1075 ⁵⁷⁾	35	-	-	-	-	-	-	-	-	-	-	525
900	36	203	1115 ⁵⁴⁾	37,5	M30	35	24	37	4	M30	35	24	37	4	590
900	36	203	1160 ⁵⁷⁾	37,5	-	-	-	-	-	-	-	-	-	-	620
1000	40	216	1230 ⁵⁴⁾	40	M36	42	24	37	4	M36	42	24	37	4	740
1000	40	216	1275 ⁵⁷⁾	40	-	-	-	-	-	-	-	-	-	-	780

⁵² Quantity of nuts = quantity of tie bolts x 2

⁵³ Quantity of bolts x 2

⁵⁴ Installation between flanges EN 1092 PN 6, 10, JIS B2220, B2238 and B2239-5K and 10K

⁵⁵ Non-standardised connection

⁵⁶ Installation between flanges EN 1092 PN 16, MSS SP 44 Cl. 150, ASME B16.1 Cl. 125

⁵⁷ Installation between flanges EN 1092 PN 16, MSS SP 44 Cl. 150, ASME B16.1 Cl. 125, AS 2129 Cl. D and E and BS 10 Cl. D and E

Table 60: Dimensions [mm] and weights [kg] for flanged body with flat faces T5 – connections ASME and MSS SP 44 Cl. 150

DN	NPS	l1	d1	C	ASME B16.5 Class 150 ⁵⁸⁾ ASME B16.1 Class 125 ⁵⁸⁾ MSS SP 44 Cl.150 ⁵⁸⁾ ASME B16.47 Cl.150 Serie A ⁵⁸⁾					[kg]
					UNC	Tie bolt ⁵²⁾		Bolt		
	[inch]					f	Qty	X	Qty ⁵³⁾	
650	26	165	835 ⁵⁴⁾	31	-	-	-	-	-	285
650	26	165	869 ⁵⁶⁾	31	1"¼	38	20	25	4	305
700	28	165	895 ⁵⁴⁾	32,5	-	-	-	-	-	330
700	28	165	925 ⁵⁷⁾	32,5	1"¼	38	24	25	4	350
750	30	190	965 ⁵⁴⁾	33,5	-	-	-	-	-	405
750	30	190	985 ⁵⁷⁾	33,5	1"¼	38	24	33	4	425
800	32	190	1015 ⁵⁴⁾	35	-	-	-	-	-	505
800	32	190	1075 ⁵⁷⁾	35	1"½	45	24	29	4	525
900	36	203	1115 ⁵⁴⁾	37,5	-	-	-	-	-	590
900	36	203	1160 ⁵⁷⁾	37,5	1"½	45	28	29	4	620
1000	40	216	1230 ⁵⁴⁾	40	-	-	-	-	-	740
1000	40	216	1275 ⁵⁷⁾	40	1"½	45	32	35	4	780

⁵⁸⁾ For DN's concerned, see connection standards.



KSB S.A.S.
4, allée des Barbanniers • 92635 Gennevilliers Cedex (France)
Tél. 09 69 39 29 79
www.ksb.com/fr-fr