

Air Valve

BOAVENT-SVA

PN 16
DN 50-200

Type Series Booklet



Legal information/Copyright

Type Series Booklet BOAVENT-SVA

All rights reserved. The contents provided herein must neither be distributed, copied, reproduced, edited or processed for any other purpose, nor otherwise transmitted, published or made available to a third party without the manufacturer's express written consent.

Subject to technical modification without prior notice.

© KSB SE & Co. KGaA, Frankenthal 07/05/2018

Contents

| | |
|--|----------|
| Control Valves / Measurement Valves | 4 |
| Air Valves to DIN/EN..... | 4 |
| BOAVENT-SVA..... | 4 |
| Main applications..... | 4 |
| Fluids handled | 4 |
| Operating data..... | 4 |
| Body materials..... | 4 |
| Design details | 4 |
| Product benefits..... | 4 |
| Related documents | 4 |
| Purchase order specifications | 4 |
| Pressure/temperature ratings..... | 5 |
| Materials..... | 5 |
| Dimensions and weights..... | 6 |

Control Valves / Measurement Valves

Air Valves to DIN/EN

BOAVENT-SVA



Main applications

- Sewers
- Water treatment systems
- Applications involving fluids with suspended solids/foreign particles

Fluids handled

- Grey water
- Waste water

Operating data

Operating properties

| Characteristic | Value |
|-----------------------------------|-------------|
| Nominal pressure | PN 16 |
| Nominal size | DN 50 - 200 |
| Max. permissible pressure [bar] | 16 |
| Min. permissible temperature [°C] | ≥ -10 |
| Max. permissible temperature [°C] | ≤ +60 |

Selection as per pressure/temperature ratings (⇒ Page 5)

Body materials

Overview of available materials

| Material | Material number | Temperature limit |
|---------------|-----------------|-------------------|
| EN-GJS-450-10 | 5.3107 | +60 °C |

Design details

Design

- Design to EN 1074-4
- 1 float
- Drain port
- Compact design available for 2-inch model

Variants

- Water hammer protection
- System for controlled air discharge
- Designs for air discharge or air intake only
- 2-inch threaded end

Product benefits

- The air valve ensures proper operation of the sewage piping system, allowing the entry (in the event of a burst pipeline or during drainage operations) and discharge (during filling operations) of large volumes of air and the release of air pockets in working conditions.
- Drain port for inspection and maintenance
- The air valve can be serviced without removing it from the piping.
- Deposits are prevented by the steeply sloping walls of the large lower body section.
- Air release system made of AISI 316
- The cap protects the air release mechanism from fluid spurting out during rapid filling operations.

Related documents

Information/documents

| Document | Reference number |
|------------------|------------------|
| Operating manual | V949011/1.10 |

Purchase order specifications

Please specify the following information in all enquiries or purchase orders:

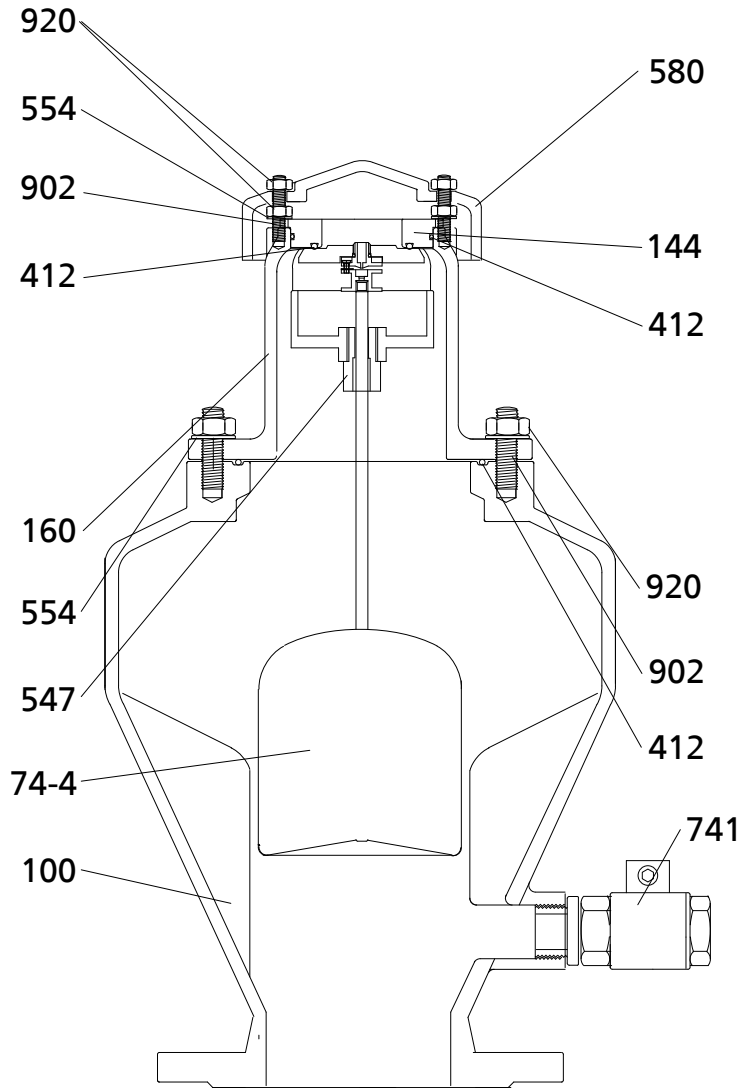
1. Type
2. Nominal pressure
3. Nominal size
4. Operating pressure
5. Operating temperature
6. Materials
7. Fluid handled
8. Pipe connection
9. Variants
10. Number of type series booklet

Pressure/temperature ratings

Permissible operating pressures [bar] (to EN 12266-1)

| PN | Material | [°C] | | | | | |
|----|---------------|------------|------|------|------|------|-----|
| | | -10 to 120 | 150 | 200 | 250 | 300 | 350 |
| 16 | EN-GJS-450-10 | 16,0 | 15,2 | 14,4 | 12,8 | 11,2 | 8,8 |

Materials

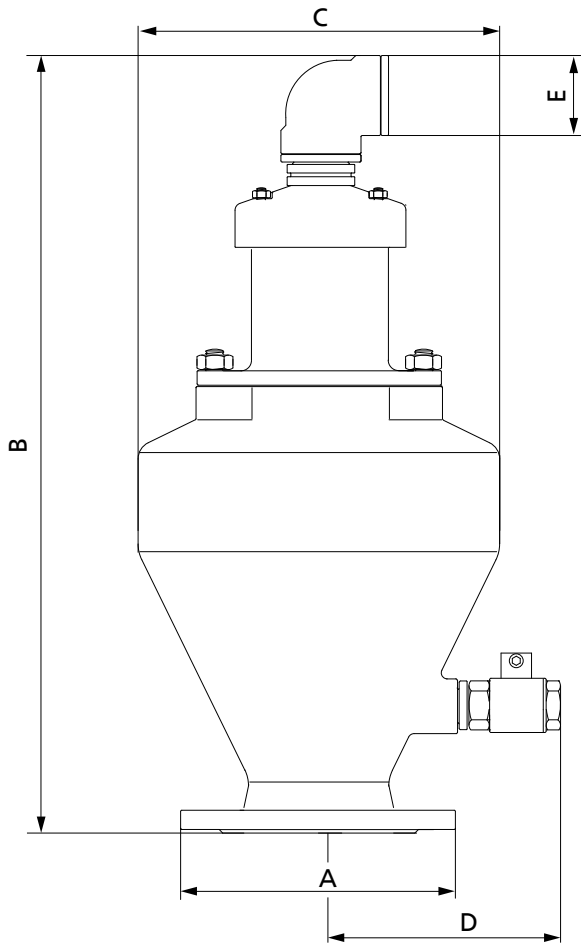


BOAVENT-SVA

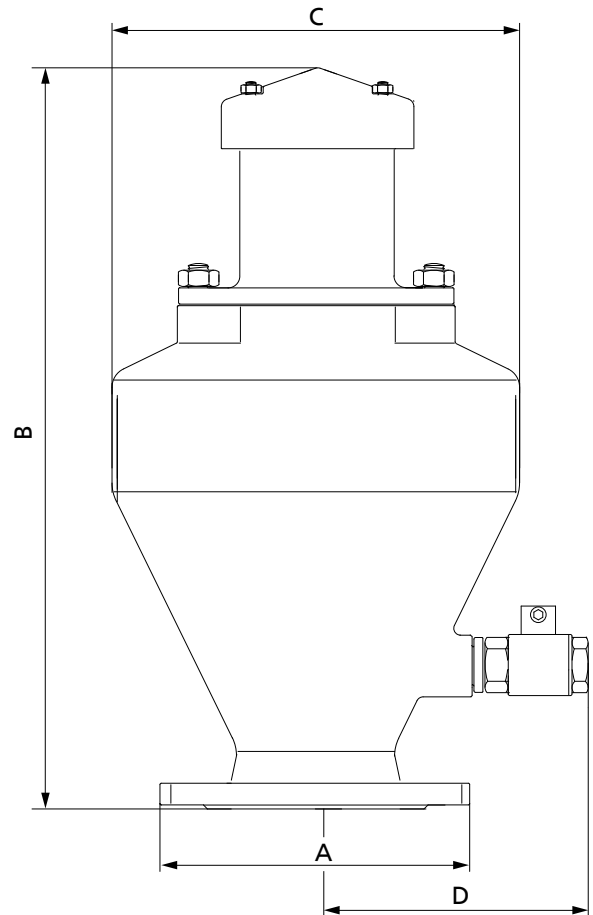
Parts list

| Part No. | Description | Material | Material number |
|----------|-------------|-----------------|-----------------|
| 100 | Body | EN-GJS-450-10 | 5.3107 |
| 144 | Seat | Stainless steel | - |
| 412 | O-ring | NBR | - |
| 547 | Guide bush | Stainless steel | - |
| 554 | Washer | Stainless steel | - |
| 580 | Cap | EN-GJS-450-10 | 5.3107 |
| 741 | Ball valve | Stainless steel | - |
| 74-4 | Float | Stainless steel | - |
| 902 | Stud | Stainless steel | - |
| 920 | Nut | Stainless steel | - |

Dimensions and weights



BOAVENT-SVA DN 50 - 65



BOAVENT-SVA DN 80 - 200

Dimensions [mm] and weights [kg]

| PN | DN | A | B | C | D | E [inch] | [kg] |
|----|-----|-----|-----|-----|-----|----------|------|
| 16 | 50 | 185 | 650 | 300 | 190 | 1 1/2 | 29 |
| | 65 | 185 | 650 | 300 | 190 | 1 1/2 | 29 |
| | 80 | 220 | 600 | 350 | 202 | - | 40 |
| | 100 | 220 | 600 | 350 | 202 | - | 40 |
| | 150 | 285 | 850 | 488 | 243 | - | 78 |
| | 200 | 340 | 850 | 488 | 243 | - | 82 |

Mating dimensions as per standard

Face-to-face lengths: Manufacturer's standard

Flanges: DIN EN 1092-2



KSB SE & Co. KGaA
Johann-Klein-Straße 9 • 67227 Frankenthal (Germany)
Tel. +49 6233 86-0
www.ksb.com